



High Temp Dishwasher
Model CD-GR-0500
Item 46798
Instruction Manual



Revised - 03/03/2023



Toll Free: 1-800-465-0234
Fax: 905-607-0234
Email: service@omcan.com
www.omcan.com

**Platform not included.*



Table of Contents

Model CD-GR-0500

Section	Page
General Information -----	3 - 4
Technical Specifications -----	5 - 7
Safety and Warranty -----	8 - 10
Installation -----	10 - 17
Operation -----	17 - 19
Maintenance -----	20 - 21
Troubleshooting -----	21 - 23
Parts Breakdown -----	24 - 39
Electrical Schematics -----	40
Notes -----	41
Installation Requirements and Checklist -----	42
Warranty Registration -----	43



General Information

Omcan Manufacturing and Distributing Company Inc., Food Machinery of America, Inc. dba Omcan and Omcan Inc. are not responsible for any harm or injury caused due to any person's improper or negligent use of this equipment. The product shall only be operated by someone over the age of 18, of sound mind, and not under the influence of any drugs or alcohol, who has been trained in the correct operation of this machine, and is wearing authorized, proper safety clothing. Any modification to the machine voids any warranty, and may cause harm to individuals using the machine or in the vicinity of the machine while in operation.

CHECK PACKAGE UPON ARRIVAL

Upon receipt of an Omcan shipment please inspect for external damage. If no damage is evident on the external packaging, open carton to ensure all ordered items are within the box, and there is no concealed damage to the machine. If the package has suffered rough handling, bumps or damage (visible or concealed), please note it on the bill of lading before accepting the delivery and contact Omcan within 24 hours, so we may initiate a claim with the carrier. A detailed report on the extent of the damage caused to the machine must be filled out within three days, from the delivery date shown in the shipping documents. Omcan has no recourse for damaged products that were shipped collect or third party.

Before operating any equipment, always read and familiarize yourself with all operation and safety instructions.

Omcan would like to thank you for purchasing this machine. It's of the utmost importance to save these instructions for future reference. Also save the original box and packaging for shipping the equipment if servicing or returning of the machine is required.

Omcan Fabrication et distribution Compañie Limité et Food Machinery d'Amérique, dba Omcan et Omcan Inc. ne sont pas responsables de tout dommage ou blessure causé du fait que toute personne ait utilisé cet équipement de façon irrégulière. Le produit ne doit être exploité que par quelqu'un de plus de 18 ans, saine d'esprit, et pas sous l'influence d'une drogue ou d'alcool, qui a été formé pour utiliser cette machine correctement, et est vêtu de vêtements de sécurité approprié. Toute modification de la machine annule toute garantie, et peut causer un préjudice à des personnes utilisant la machine ou des personnes à proximité de la machine pendant son fonctionnement.

VÉRIFIEZ LE COLIS DÈS RÉCEPTION

Dès réception d'une expédition d'Omcan veuillez inspecter pour dommages externes. Si aucun dommage n'est visible sur l'emballage externe, ouvrez le carton afin de s'assurer que tous les éléments commandés sont dans la boîte, et il n'y a aucun dommage dissimulé à la machine. Si le colis n'a subi aucune mauvaises manipulations, de bosses ou de dommages (visible ou cachée), notez-le sur le bond de livraison avant d'accepter la livraison et contactez Omcan dans les 24 heures qui suivent, pour que nous puissions engager une réclamation auprès du transporteur. Un rapport détaillé sur l'étendue des dommages causés à la machine doit être rempli dans un délai de trois jours, à compter de la date de livraison indiquée dans les documents d'expédition. Omcan n'a aucun droit de recours pour les produits endommagés qui ont été expédiés ou cueilli par un tiers transporteur.

General Information

Avant d'utiliser n'importe quel équipement, toujours lire et vous familiariser avec toutes les opérations et les consignes de sécurité.

Omcan voudrais vous remercier d'avoir choisi cette machine. Il est primordial de conserver ces instructions pour une référence ultérieure. Également conservez la boîte originale et l'emballage pour l'expédition de l'équipement si l'entretien ou le retour de la machine est nécessaire.

Omcan Empresa De Fabricacion Y Distribucion Inc. Y Maquinaria De Alimentos De America, Inc. dba Omcan y Omcan Inc. no son responsables de ningun daño o perjuicio causado por cualquier persona inadecuada o el uso descuidado de este equipo. El producto solo podra ser operado por una persona mayor de 18 años, en su sano juicio y no bajo alguna influencia de droga o alcohol, y que este ha sido entrenado en el correcto funcionamiento de esta máquina, y ésta usando ropa apropiada y autorizada. Cualquier modificación a la máquina anula la garantía y puede causar daños a las personas usando la máquina mientras esta en el funcionamiento.

REVISE EL PAQUETE A SU LLEGADA

Tras la recepcion de un envio Omcan favor inspeccionar daños externos. Si no hay daños evidentes en el empaque exterior, Habra el carton para asegurarse que todos los articulos solicitados estén dentro de la caja y no encuentre daños ocultos en la máquina. Si el paquete ha sufrido un manejo de poco cuidado, golpes o daños (visible o oculto) por favor anote en la factura antes de aceptar la entrega y contacte Omcan dentro de las 24 horas, de modo que podamos iniciar una reclamación con la compañía. Un informe detallado sobre los daños causados a la máquina debe ser llenado en el plazo de tres días, desde la fecha de entrega que se muestra en los documentos de envío. Omcan no tiene ningun recurso por productos dañados que se enviaron a recoger por terceros.

Antes de utilizar cualquier equipo, siempre lea y familiarizarse con todas las instrucciones de funcionamiento y seguridad.

Omcan le gustaría darle las gracias por la compra de esta máquina. Es de la mayor importancia para salvar estas instrucciones para futuras consultas. Además, guarda la caja original y el embalaje para el envío del equipo si servicio técnico o devolución de la máquina que se requiere.



Technical Specifications

Model	CD-GR-0500
Basket Size	20" x 20" / 508 x 508mm
Electrical	208-240V / 60Hz
Power	3.6 kW
Current	16 A
Wash Pump Motor	0.75 HP
Flow Pressure	20 psi ± 5
Water Consumption / Rack	0.58 gal (2nd program)
Water Consumption / Hour	11 gal/h
Water Inlet Connection	0.75" / 19mm
Draining Connection	1" / 25mm
Capacity	Booster tank: 6 L / Wash tank: 35 L
Heating Element	Booster tank: 3 kW / Wash tank: 2.8 kW
Rack / Hour (1st Program)	28
Rack / Hour (2nd Program)	19
Rack / Hour (3rd Program)	14
Wash Cycle 1	103 seconds
Wash Cycle 2	163 seconds
Wash Cycle 3	223 seconds
Rinse Cycle	16 seconds
Washing Temperature	74°C / 165°F
Rinsing Temperature	74°C / 165°F
Door Clearance	14" / 356mm
Useful Door Opening	12.8" / 325mm
Overall Dimensions	22.5" x 24" x 38" / 572 x 610 x 965mm
Packaging Dimensions	23" x 27" x 38.5" / 584 x 686 x 978mm
Packaging Weight	132 lbs. / 60 kgs.
Item Number	46798

Technical Specifications

ELVIOMEX
PROFESSIONAL WIRE WASHING MACHINES

ALFA ELVIOMEX s.a.

Model : CD-GR-0500

Wash Time (Sec) :

103 / 163 / 223

Minimum Wash

Temp. : 165 oF (74 oC)

Rinse Time

(Sec) : 16

Minimum Rinse

Temp. : 165 oF (74 oC)

Inlet Water

Pressure : 138 ± 34 kPa

(20 ± 5 psi)



Technical Specifications

PRODUCT SERIAL NUMBER

A large, empty rectangular box with a thin black border, intended for the user to enter the product serial number.

Safety and Warranty

THE FOLLOWING SYMBOLS INDICATE IMPORTANT INFORMATION THROUGHOUT THIS MANUAL.



Caution symbols indicate action or condition that can result in damage to the machine.



Not approved symbols indicate action or condition that will diminish the optimum operation of the machine.



Approved symbols indicate action or condition that is safe and correct and should be followed.



Warning symbols indicate action or condition that can be hazardous.



Note symbols indicate important information that should be followed for installing or operating the machine.

INDICATIONAL WARNINGS - CAUTIONS - NOTES



Machine installation must comply with all local Health, Plumbing, Electrical and Safety codes.



All plumbing connections ARE PRIOR to the electrical installations and must be performed by qualified service personnel otherwise there is risk of damages to heating elements.



Problems or Damages caused due to improper installation are not covered by the Limited Warranty.



All debris from the water supply line must be flushed before connecting it to the machine. Debris can damage the machine supply valves.



Handle with care when lifting or moving to avoid damage or leakings.



Plumbing and Electrical connections must allow the machine to move for service or cleaning.



Before any electrical or service operation disconnect the main electrical supply and lock it out in order to clearly indicate that there is work in progress.



Safety and Warranty

1. All pumping connections must be made prior to the electrical connection as otherwise there is high risk of damages to heating elements.
Damages due to negligence installation are not covered by the warranty.
2. Be careful when lifting or moving the dishwasher to avoid leaks or damages.

Do not use granular detergent. Poor results usually occur.

Do not use caustic products. This will void the guarantee.

Be sure all electrical supply specifications correspond to information label on machine.

The manufacturer/ distributor is not responsible for any possible damages or risks due to improper connection of this appliance.

- I. Inspect the packaging for external damages.
- II. Check that all the following accessories are inside the machine.
 - 1 Glass basket.
 - 1 Dish basket.
 - 1 Cutlery basket.
 - 1 Water inlet hose.
 - 1 Pressure reducer valve (PRV).
 - 4 leveling feet.
 - 4 thread covers for leveling feet.
 - 1 User manual.
 - 1 Extended warranty brochure.

RESIDENTIAL USERS: Vendor assumes no liability for parts or labor coverage for component failure or other damages resulting from installation in non-commercial or residential applications. The right is reserved to deny shipment for residential usage; if this occurs, you will be notified as soon as possible.

1 YEAR PARTS AND LABOUR WARRANTY

Within the warranty period, contact Omcan Inc. at 1-800-465-0234 to schedule an Omcan authorized service technician to repair the equipment locally.

Unauthorized maintenance will void the warranty. Warranty covers electrical and part failures, not improper use.

Please see <https://omcan.com/disclaimer> for complete info.

WARNING:

The packaging components are classified as normal solid urban waste and can therefore be disposed of without difficulty.

Safety and Warranty

In any case, for suitable recycling, we suggest disposing of the products separately (differentiated waste) according to the current norms.

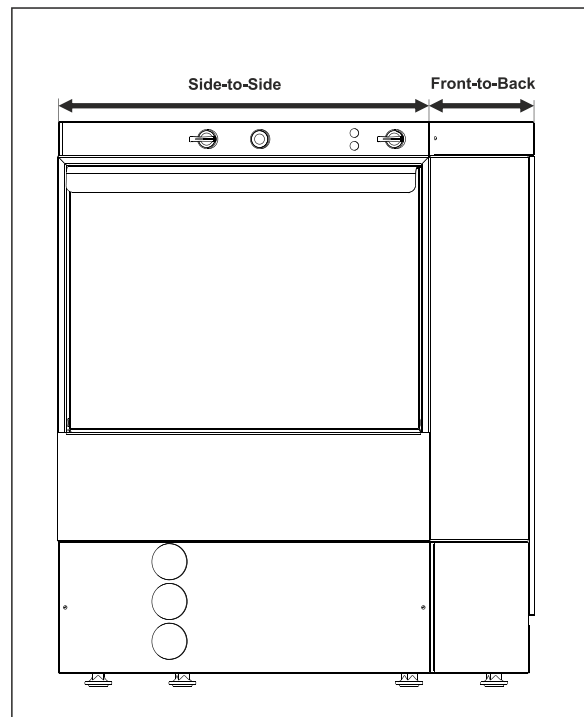
DO NOT DISCARD ANY PACKAGING MATERIALS IN THE ENVIRONMENT!

Installation

CHECK THAT ALL THE FOLLOWING ACCESSORIES ARE INSIDE THE MACHINE:

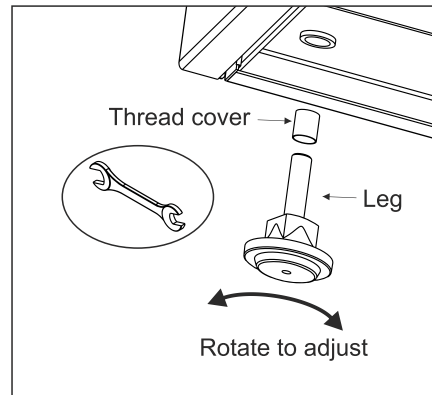
- 1 Glass basket.
- 1 Dish basket.
- 1 Cutlery basket.
- 1 Water inlet hose.
- 1 Pressure reducer valve (PRV).
- 4 leveling feet.
- 4 thread covers for leveling feet.
- 1 User manual.

PLACEMENT



Adjust the legs to level the machine side-to-side and front-to-back

LEVEL THE MACHINE



Exploded view leg detail

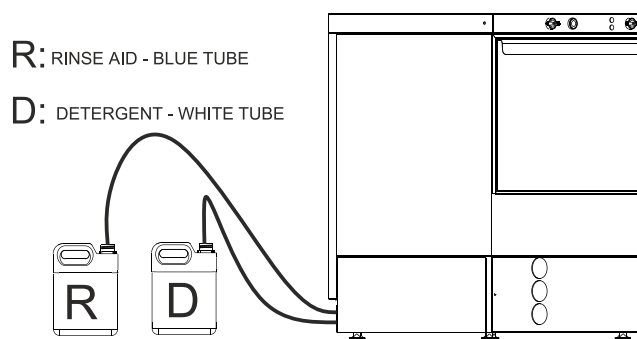
INSTALLATION SUGGESTIONS

- Place the dishwasher in the desired location.
- The appliance should be leveled. Adjustable feet are provided for this adjustment.

Note

The leveling feet should not have any exposed threads. Please use the provided bushes in order to cover the exposed threads.

PLACEMENT - CHEMICAL CONTAINERS



Chemical supply containers must be placed as close as possible to the machine and must not be elevated.



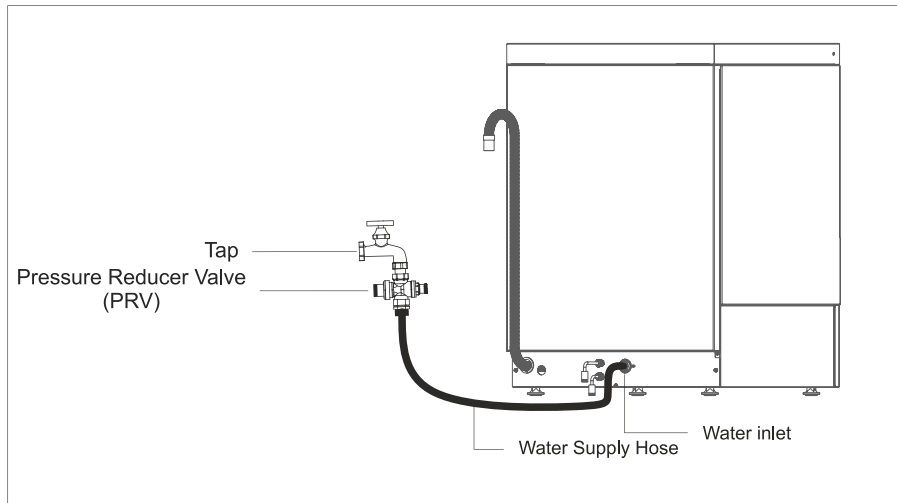
Reposition the chemical tubing at the back of the machine before placing the machine to its permanent position.

The unit should be installed by licensed and approved personnel according to all local codes.

This dishwasher is delivered with water inlet and outlet hoses.

Installation

WATER SUPPLY CONNECTION



ATTENTION: Connection with the water supply should be made according to all applicable codes.



Machine must be connected to hot water source. Minimum income water temperature should be 40°.

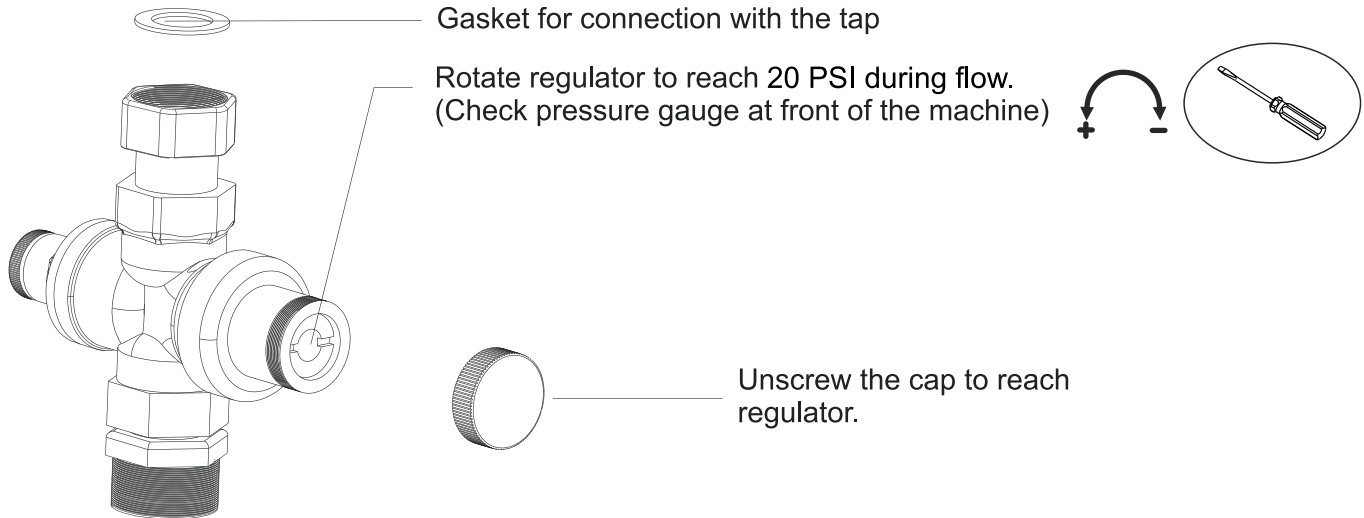


A Pressure Regulator Valve must be inserted between the machine water inlet and the water source. Water pressure during flow (not static), must be regulated to 20 PSI. During pressure regulation please check the pressure gauge at the front of the machine.

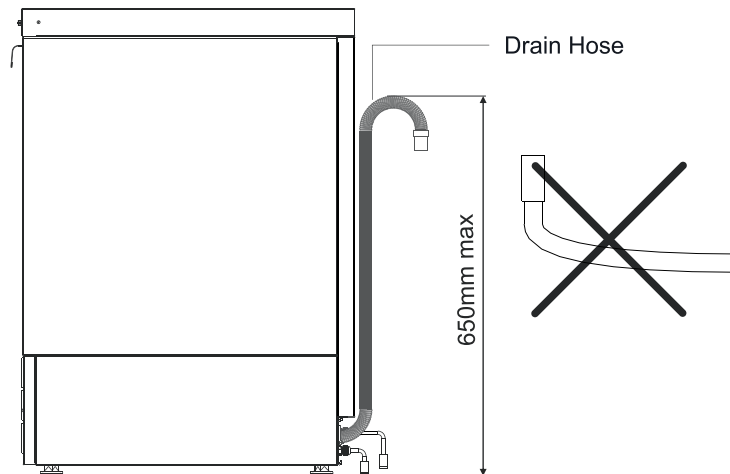
This dishwasher intended for use with a hot water supply but will also operate (at slightly reduced hourly capacity) with a cold water supply.

- The water supply hose/pipe should be OD 14mm x ID 10mm and terminate in a 3/4" NPT fitting (not garden hose).
- The water supply hose/pipe should be flushed before final connection.
- **Minimum flow pressure is 15 PSI and maximum is 25 PSI.**
- Connect hose supplied with machine to the inlet at the rear of the machine and the 3/4" NPT fitting on the water supply line.

PRESSURE REGULATOR VALVE ADJUSTMENT



DRAINAGE CONNECTION



Do not add extension to the drain hose otherwise warranty is void.

Outflow is accomplished by the use of a drain pump in the CD-GR-0500. The outlet hose must not be higher than 650mm from the floor. An open drain connection or one to a vented drain pipe is recommended.

- I. Connect the drain hose to the main draining.
- II. Connection must be made in the same flow with the draining pipe.

ATTENTION:

- Drain connection to a venting dedicated drain pipe is suggested.
- It is strongly advised NOT to connect the drain hose into the sink's draining.
- If an extension is added to the drain hose the warranty is voided.

Installation

ATTENTION:

- Make sure that no residuals remain to the water supply line before connecting it to the machine.
- Plumbing connections must be made in such way that will allow the machine to be moved for service and cleaning.
- PRV MUST be installed and adjust at 20 PSI otherwise the warranty is voided.

Min water inlet temp.	Operating flow pressure.	Min wash temperature.	Min rinse temperature.
40°C	20 ±5 PSI	165°F / 74°C	165°F / 74°C

- Connect the PRV valve in the water supply shut off valve.
- Connect the water supply hose to the PRV in one side and in the machine on the other side.

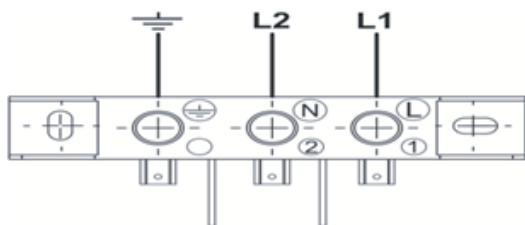
Attention: source water hardness must not intervene 10°F / 6 Gd.

ELECTRICAL CONNECTION

Attention: Before make any electrical connection or service, disconnect the main electrical supply and lock it out in order to clearly indicate that there is work in progress.



ELECTRICAL CONNECTION

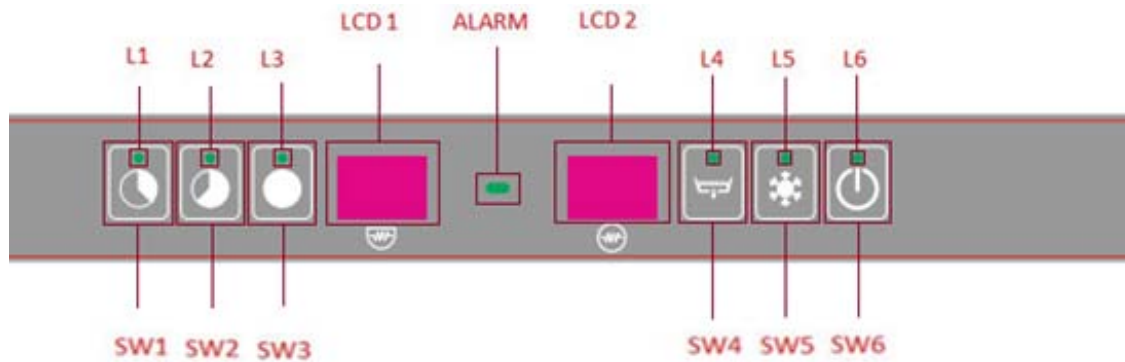


- I. Open the lower front cover (2 bolts).
- II. Open the top cover of electrical circuit.
- III. Connect the cable to the terminal block (Attention: strain relief knockout must be placed by the installer).

Caution: 15 cm loop of wire must be left inside the machine in order to allow servicing.

- IV. Replace the top cover.
- V. Replace and secure the lower front cover.

CONTROL PANEL



This machine is equipped with peristaltic detergent and rinse aid pumps that are controlled through the PCB board. For that reason in order to adjust the dosing of each one you have to enter the User's Menu by following the below steps, please bear in mind that for each second the corresponding pump captures the following liquid quantities:

- Detergent pump: 0.83 ml/sec
- Rinse Aid pump: 0.19 ml/sec

By multiplying these quantities with the time duration (seconds) that the pump works, you can calculate the volume of each liquid that it is used.

NOTE

To navigate in the user menu by pressing the buttons SW3 and SW4.

To increase the amount (+), press Button SW1.

To decrease the amount (-), press Button SW2.

To confirm the value changed, press Button SW5 once.

- Press hold Buttons SW1, SW3 & SW6 at the same time for 3 sec with the hood-door closed. LED L6 flashes and buzzer sounds three times. Message "conf" appears for a few seconds and the User's Menu is activated.
- Select dF to adjust detergent quantity during initial filling.
- Select dC to adjust detergent quantity during each washing cycle.
- Select rF to adjust rinse aid quantity during initial filling.
- Select rC to adjust rinse aid quantity during each washing cycle.
- Exit the User's Menu hold SW 6 for 3 sec. until to hear the buzzer sounds.

PRIME THE CHEMICAL PUMPS

Each pump is priming separately. To do that follow the steps bellow.

DETERGENT PUMP PRIMING:

- Dishwasher on standby (OFF).
- Door closed.

Installation

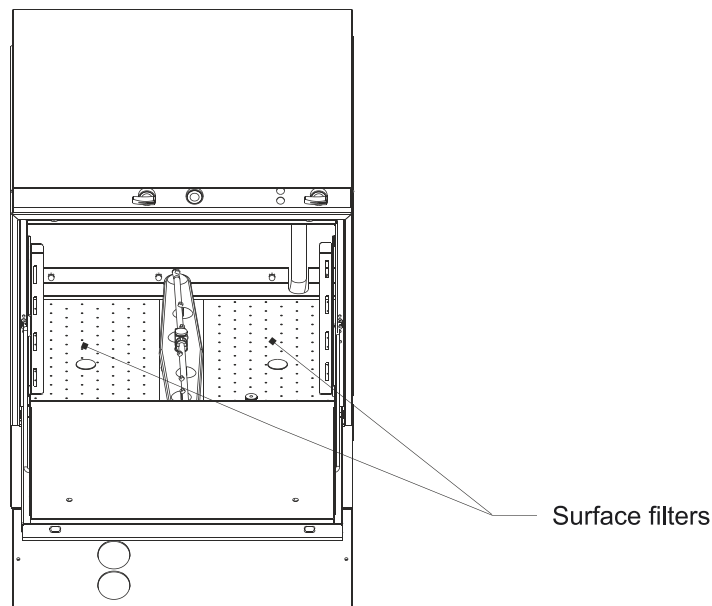
- Hold the buttons SW1, 3, 5 together.

RINSE AID PUMP PRIMING:

- Dishwasher on standby (OFF).
- Door closed.
- Hold the buttons SW1, 3, 4 together.

Caution: Before you perform these adjustments, turn off the power supply. The dozer is adjusted from the manufacturer's premises at its maximum value for easy initial priming and must be adjusted accordingly (depending on water hardness, how dirty the dishes are, and the detergent used).

SCREENERS (SURFACE FILTERS) - OVERFLOW PIPE - SUCTION FILTER - DRAIN FILTER

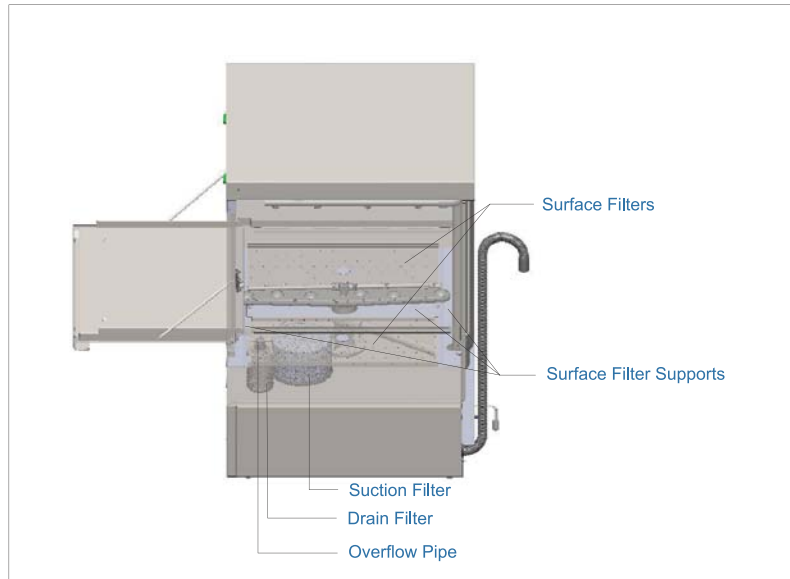


To remove the surface filters first align the rinse and washing arms with the middle filter support and then lift.



Do not remove the surface screeners and internal filters if the tank is not empty

Installation





Operation

DAILY OPERATION

- Check the chemical containers to be sufficient full.
- Reposition the overflow pipe and the surface screeners.
- Turn on the dishwasher by pressing button SW6 for 3 sec. The LED L6 will flash and the buzzer will sound.
- Wait the tank to fill up with water and chemical pumps to prime. During priming the indication "FILL" will keep appear on the two 7 segment screens.



IMPORTANT NOTE

The heating elements start warming only when filling is finished. On the screens LCD1 & LCD2 the current temperature of each tank is displayed alternately (when LCD 1 shows "bt" then LCD 2 displays boiler's temperature, when LCD 1 shows "tt", then LCD 2 displays tank temperature). In case that the wash tank's heating resistance is ON, a dot in the right lower corner of LCD1 is lit, while in case that the boiler's heating resistance is ON a dot in the right lower corner of LCD2 is lit. For that reason, symbol  (representing the tank) is shown beneath of LCD1 & symbol  (representing the boiler) is shown beneath of LCD2.

- Wait 20 minutes in order both the tank and booster to be fully heated.



IMPORTANT NOTE

During the first full warming at the start of the swift the washing cycle does not start until the dishwasher to be fully warmed.

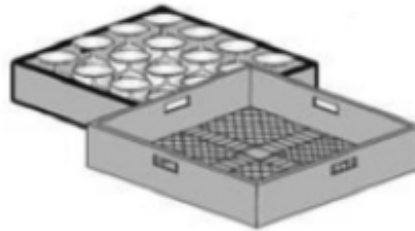
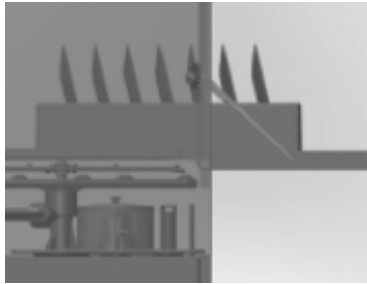


CAUTION

The full heating process is finished when both booster and tank temperatures are minimum 74°C.

Operation

- Load the basket in a proper way and place it inside the machine.



All the residuals on the dishes and glasses must be removed

- Close the door.
- Start a washing cycle by pressing the preferable washing cycle time button.

Program	Wash time	Rinse time
Short (SW1)	103 sec.	16 sec.
Standard (SW2)	163 sec.	16 sec.
Long (SW3)	223 sec.	16 sec.



If for any reason the door open the washing cycle is stopped and must start all over again.

DETERGENT AND RINSE AID PUMP OPERATION

This machine is equipped with peristaltic pumps for the rinse aid and the detergent filling. The filling inlets for each one are the two corresponding hoses which should be immersed in the appropriate tanks.

The dosing procedure is performed in two stages. Firstly during the initial filling (when you turn the machine on) and additional after each washing cycle:

- 1st Stage: During automatic preparation (before the first wash) the machine receives from the tank soap for 180 sec and rinse aid for 35 sec. This could be adjusted from the user through the User Menu *Check Section "User Menu".
- 2nd Stage: During every complete washing & rinsing cycle, the machine receives detergent for 13 sec and rinse aid for 12 sec. This could be adjusted from the user through the User Menu *Check Section "User Menu".
- When "END" appears on the 2 7 segment screens the washing cycle has finished and you can remove the basket.
- Allow the dishes and glasses to dry out of the dishwasher.



The dishwasher is equipped with thermo-protector so the rinsing does not start unless the rinse temperature to be 165°F / 74°C. In this case washing cycle time may be extended until the final rinse temperature to reach 165°F / 74°C.

Pay attention on removing the basket after the washing cycle as it may be HOT.



IMPORTANT NOTE

- For best results avoid allowing food residues to dry.
- Remove bulk food residues, olive pips, lemon peels, toothpicks, etc., before placing the dishes in the basket.
- If washing is delayed we recommend that you soak dishes and/or glasses which have food residues.

If, after washing, there are stains from dirt or water spots, the cause may be one of the following:

- Wrong ratio of detergent to water.
- Rinsing water with very high mineral content.
- Improper quantity of rinse-aid.
- Wrong arrangement of items in the basket.
- Low water pressure during rinsing.
- Low water temperature during washing.
- Clogged or miss-positioned filters.
- Clogged jets.

SHUTTING DOWN AND DRAINING

- Remove the overflow pipe.
- Press the draining button SW 4 in order to start draining process.

Attention: Do not remove the surface screeners and internal filters if the tank is not empty.

- When draining cycle is finished the dishwasher turns off automatically.



IMPORTANT NOTE

- The draining process includes also self cleaning so during draining hot water from the booster will be sprayed inside the tank in order residuals to be removed.
- Draining time can be adjusted (more or less) by entering the general settings of the machine.
- Remove the surface filters and clean them under running water.
- Remove the suction filter and the draining filter and clean them under running water.
- Reposition the filters and overflow pipe.



DO NOT use any metal sponge to scratch the filters or the dishwasher surface.

Maintenance

Proper operation and safe use may be ensured only through the correct use of the appliance, as well as the compliance with the operation instructions, the corresponding specifications and the care and cleaning indications.

Depending on local water hardness, the nozzles on the upper wash piping and rinse arms should be cleaned. Caution must be exercised to not damage the nozzles. If rinse nozzles are removed, they must be replaced with the slot in line with the rinse arm.



ATTENTION MUST BE GIVEN TO THE CORRECT INSTALLATION OF FILTERS, WASH ARMS, AND TEFLON BUSHINGS! REPLACE BUSHINGS IF WORN.

Clean the appliance with warm water and conventional cleaning aids. Stainless steel parts should never be cleaned them with “steel wool” wire brush, etc, since even the lightest contacts on the surfaces with steel may contaminate the stainless steel and cause rust formation. Use brushes made of polymer plastic or natural bristles or thin brass wire. Always keep brush movements in line with grain in the Stainless Steel so that you will not affect the appearance. Finally, rinse with clean water and dry thoroughly.

We remind you that corrosion (rust formation) on stainless steel surfaces is not created by itself, but rather due to the use of improper cleaning products (e.g. whitening or particularly caustic cleaning products based on chlorine).

Occasionally calcium sediments form on the internal walls of the wash compartment, tubing, and booster chamber (due to mineral particles in the water), which may affect the correct operation of the appliance and which requires removal.

USER'S MENU



- 1. User's menu has two levels of parameterization. In order to enter the second level please advice distributor's after sales department.**
- 2. For setting the default parameters at any time please advice distributor's after sales department.**

In order to enter the User's Menu, shut down the machine and press hold Buttons SW1, SW3 & SW6 at the same time for 3 sec with the hood closed. LED L6 flashes and a beeper sounds three times. Message “conf” appears for a few seconds and the User's Menu is activated.

Find the parameter that you wish to adjust using Buttons SW3 and SW4 for navigation inside the menu. The corresponding parameter will be displayed on the screen.

Should you wish to increase the amount (+), press Button SW1.

Should you wish to decrease the amount (-), press Button SW2.

Maintenance

After defining the value, press Button SW5 once in order to register the value in the memory.

In the matrix that is presented below you can find a short description of the functions that can be adjusted by the user, as well as their default values.

In order to exit the User's Menu, press-hold Button SW6 for 3 sec. The beeper sounds three times and message "OFF" appears on screens.

After closing the User's Menu, the machine is shut down.

No	Parameter	Range	Default	Indication
1	TEMPERATURE MODE	C/F	C	C
2	BOILER TEMPERATURE	30-92 C	85 C	bt
3	TANK TEMPERATURE	30-70 C	60 C	tt
4	DETERGENT TIME AT FILLING	100 – 300 SEC	180 SEC	dF
5	DETERGENT TIME AT CYCLE	0 – 30 SEC	13 SEC	dc
6	RINSE AID TIME AT FILLING	0 – 90 SEC	35 SEC	rF
7	RINSE AID TIME AT CYCLE	0 – 30 SEC	12 SEC	rC
8	ADDITIONAL RINSE	0 (NO) – 1(YES)	0	Cr
9	DRAINING DURATION	20 -60 SEC	25	Cd

Troubleshooting

ALARMS

If the system records any malfunction, then a warning message will be displayed on the screen. If such a condition occurs, please advise the following table which describes the problem shortly. Should you need further assistance, don't hesitate to contact your local reseller.

Troubleshooting

ALARM	PROBLEM DESCRIPTION
Alarm 1	Filling time in excess.
Alarm 2	The water level during draining is not reduced.
Alarm 3	Excess time of boiler heating.
Alarm 4	Excess time of tank heating.
Alarm 5	Water temperature in the boiler is above limits.
Alarm 6	Water temperature in the wash tank is above limits.
Alarm 7	If the unit is not running on the heating cycle for at least 1hr 30min.
Alarm 8	Tank's thermometer is not connected.
Alarm 9	Tank's thermometer is damaged.
Alarm 10	Boiler's thermometer is not connected.
Alarm 11	Boiler's thermometer is damaged.
Alarm 12	The washing cycle is terminated, but the boiler was not heated properly (excess heating time in Thermo-protector function).

TROUBLESHOOTING

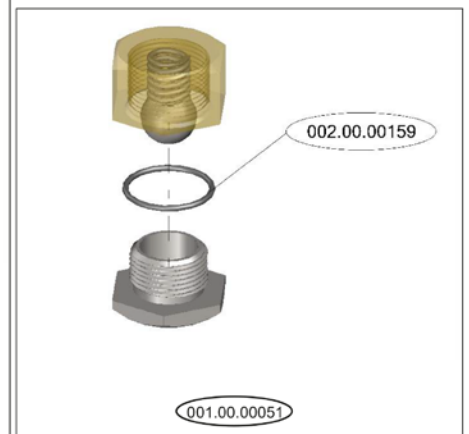
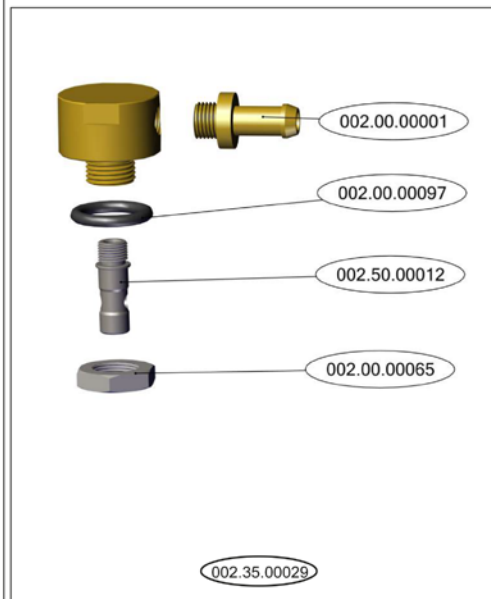
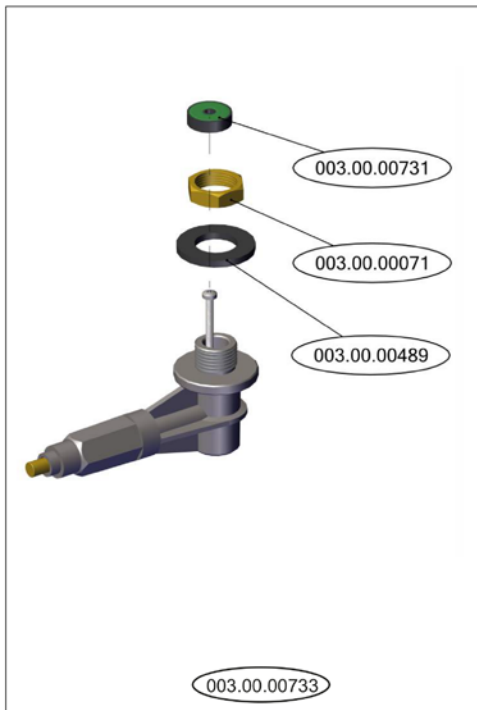
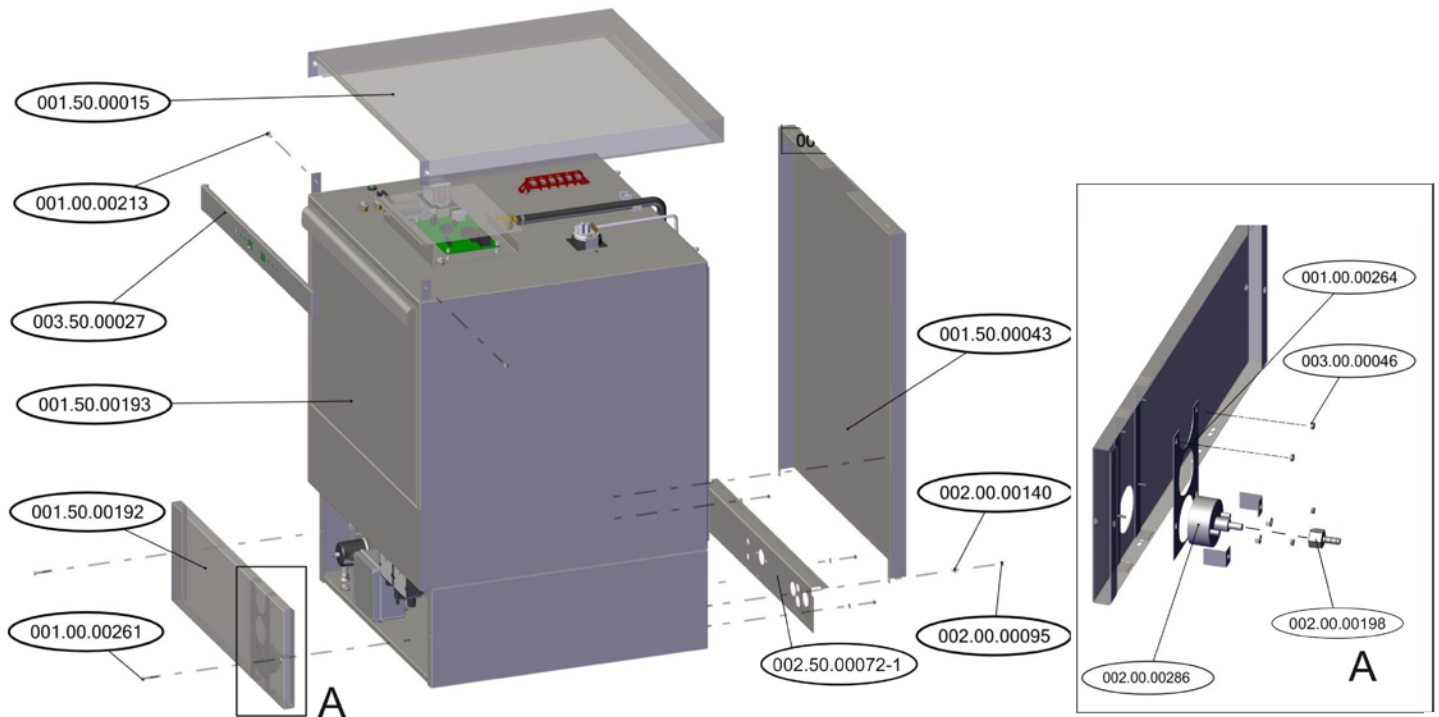
PROBLEM	CAUSE	SOLUTION
The dishwasher does not operate properly.	Connection interruption.	Check the connection.
	You have not turned the switch of the appliance ON.	Turn the switch ON.
	Main switch / or fuse has not been activated / or it is faulty.	Check the main switch / or fuse.
	The switch of the appliance is faulty.	Refer to the authorized local dealer who sold the appliance or directly to the manufacturer.
	The water inlet valve is faulty.	
	The door is not closed.	Close the door.
	You have not turned the water supply on.	Turn the supply on.
The appliance operates, but the switch LED does not light on.	The LED is faulty.	Change the LED.

Troubleshooting

Boiler heating does not operate.	Switch or main switch or fuse has not been activated.	Check the switch of the appliance and the main switch or fuse.
	The safety thermostat of the boiler is faulty.	Refer to the authorized local dealer or the manufacturer.
	The 93°C thermal fuse of the boiler is faulty.	
	Pressure regulator is faulty.	
	“Boiler heating” relay is faulty.	
	Boiler fuse is burned out.	
Boiler heating operates, but LED does not turn on.	Faulty LED.	Change LED.
Dispenser heating does not operate.	Switch N1 of the appliance or main switch or fuse has not been activated.	Activate the corresponding switch or fuse.
	Boiler heating is open.	Wait.
The 85°C thermal fuse is faulty. The dispenser’s fuse is burned out.	The thermostat switch of 60°C heating is faulty.	Refer to the authorized local dealer or the manufacturer.
	“Compartment heating” relay is faulty.	
Dispenser’s heating operates, but LED does not turn on.	Faulty LED.	Change LED.
Pump motor does not operate.	Main switch or fuse is not activated. The door is not closed.	Activate the main switch or fuse Close the door.
	Main relay is faulty.	Refer to the authorized local dealer or the manufacturer.
	Pump motor is faulty.	
	Program selection switch is faulty.	
Motor operates, but pump does not rotate.	An object has jammed the pump fin.	Refer to the authorized local dealer or the manufacturer.
	Salts or detergent have been petrified following non-operation of the appliance.	Rotate the screw on the backside of the motor, until it rotates freely.
Items do not dry (dishes, glasses, etc).	Compartment has no drying aid.	Insert drying aid to the compartment.
	Drying valve is faulty.	Refer to the authorized local dealer or the manufacturer.
	Program switch is faulty.	
	Rinsing arms do not rotate.	
Basket does not rotate.		

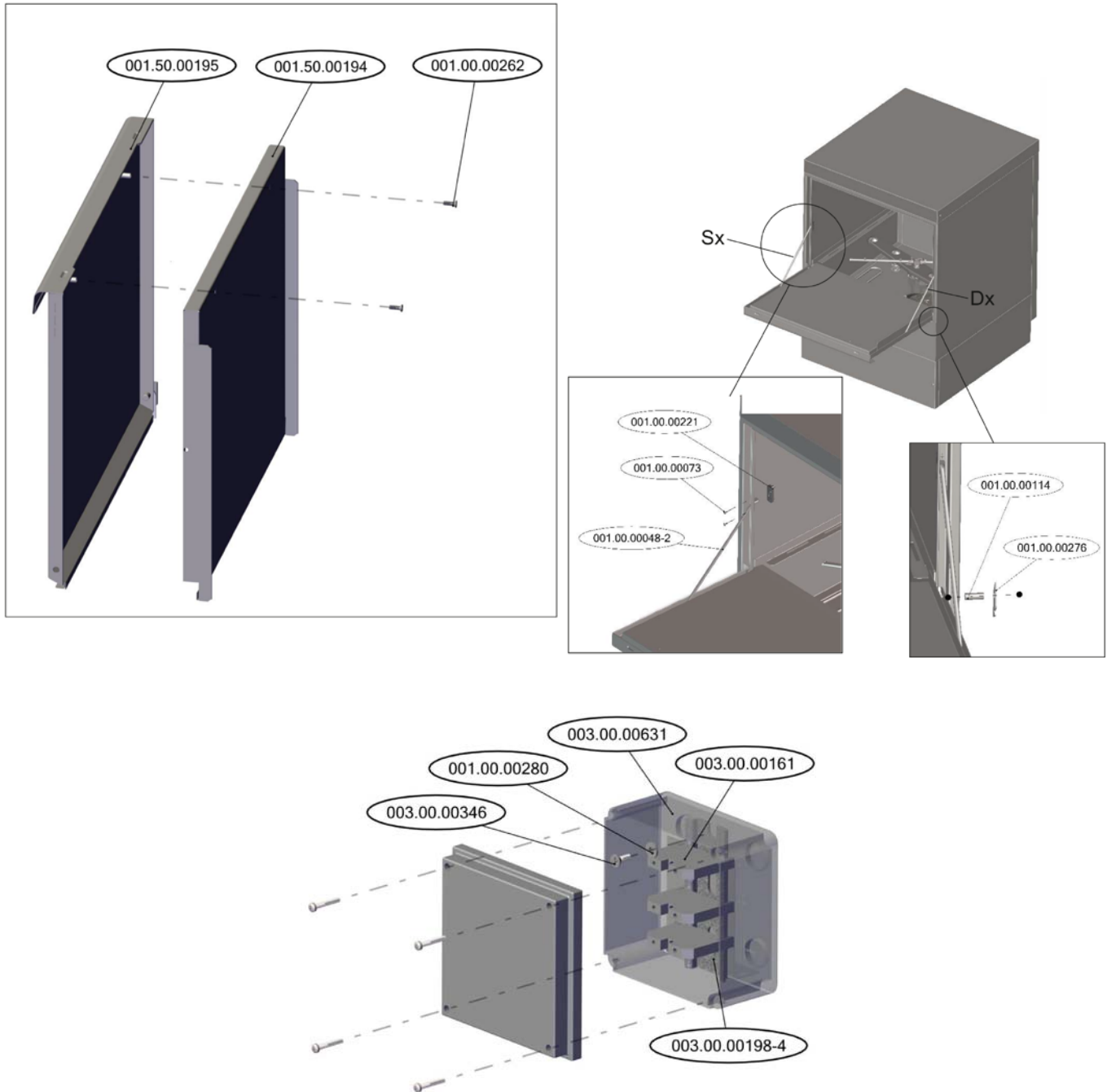
Parts Breakdown

Model CD-GR-0500 46798



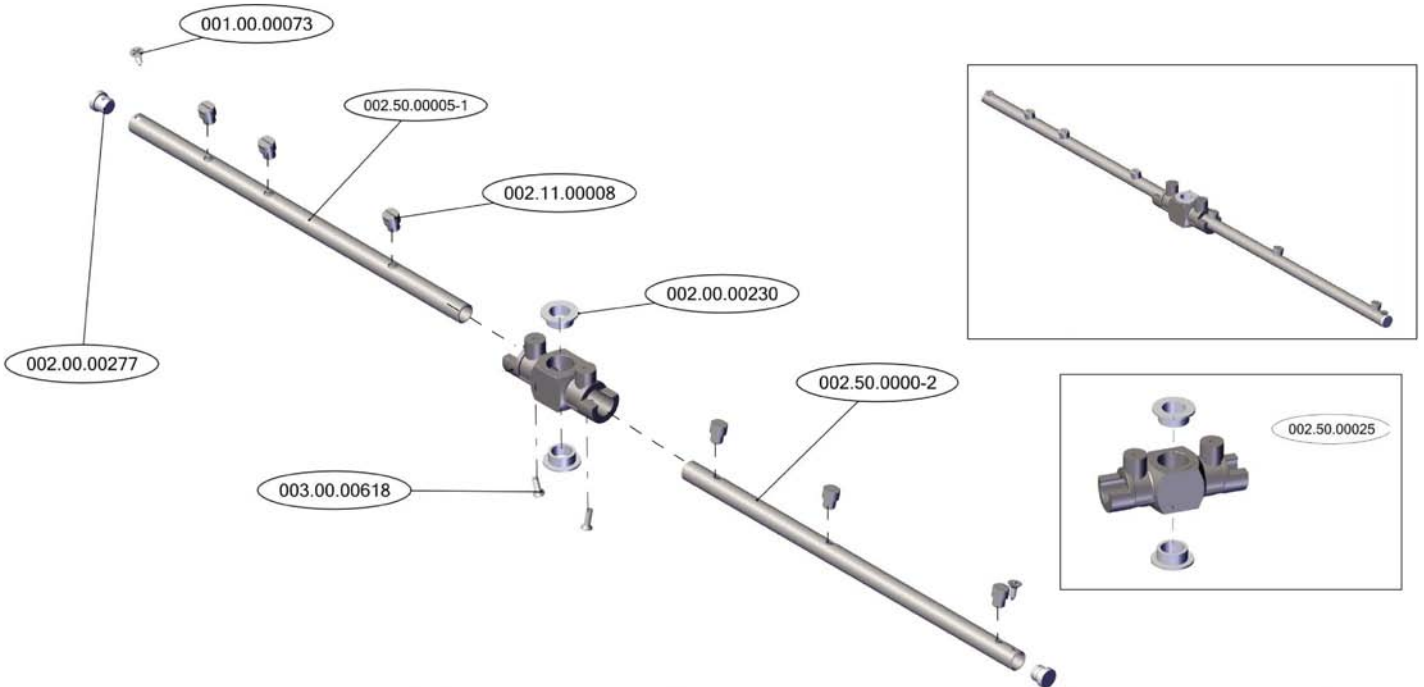
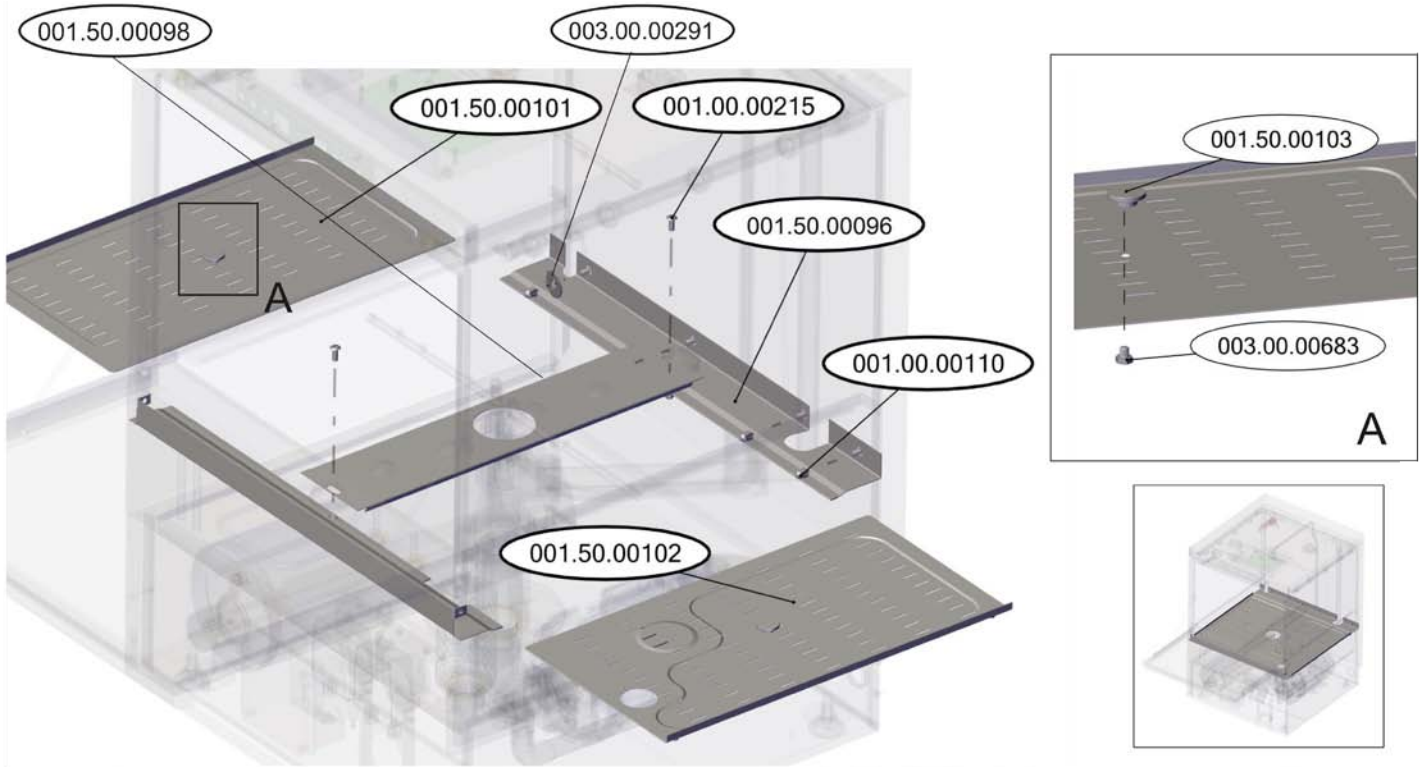
Parts Breakdown

Model CD-GR-0500 46798



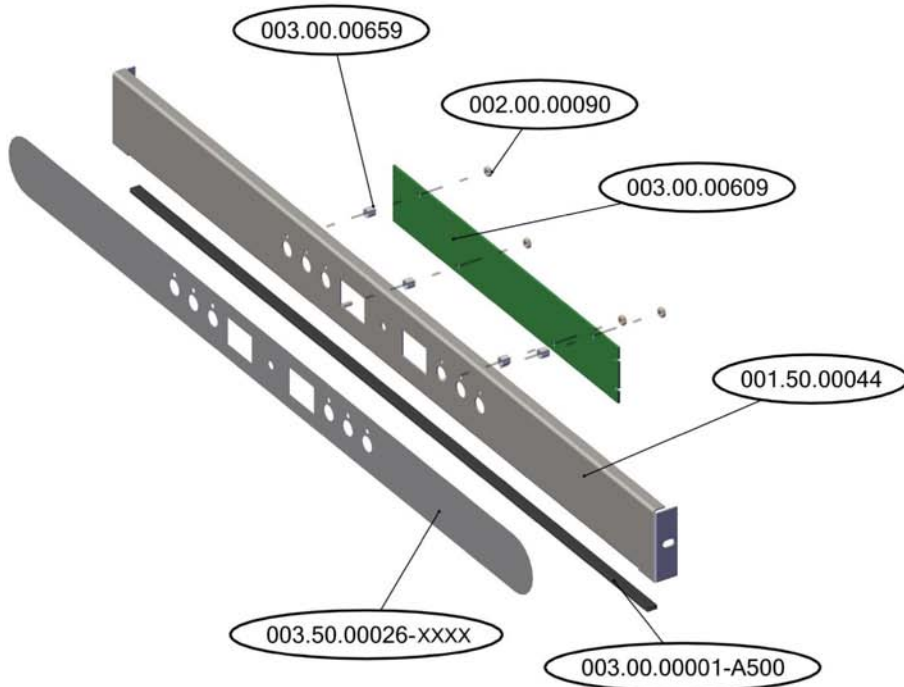
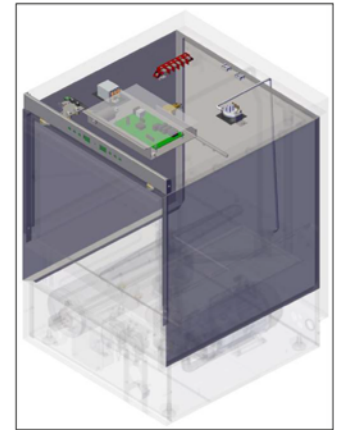
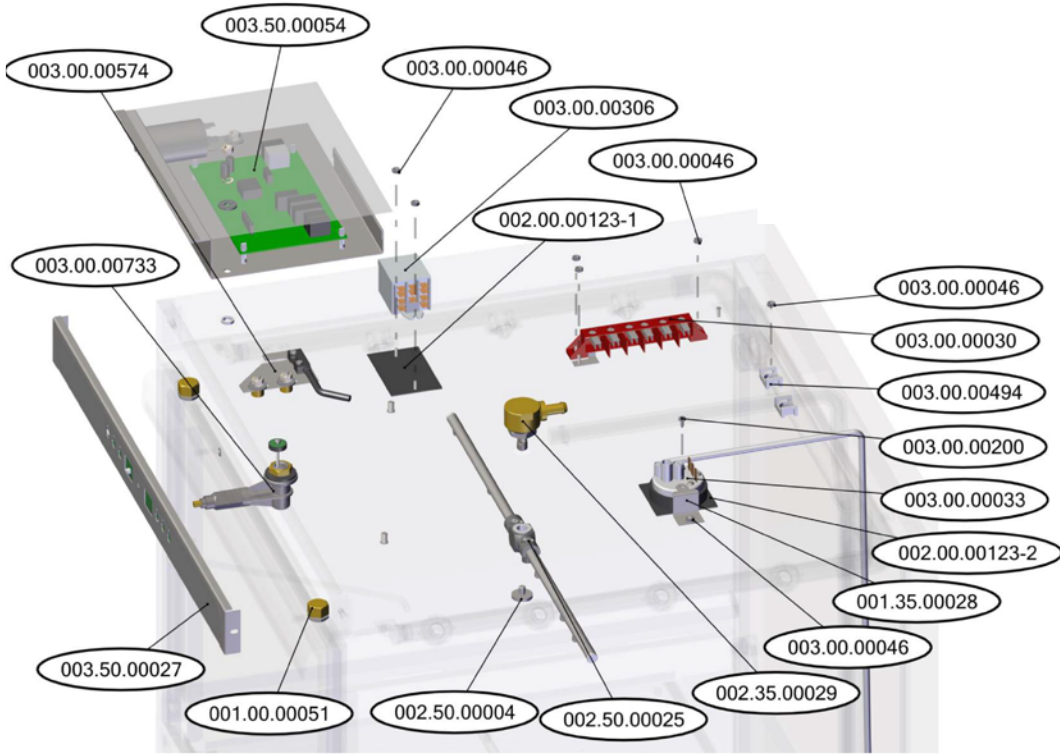
Parts Breakdown

Model CD-GR-0500 46798



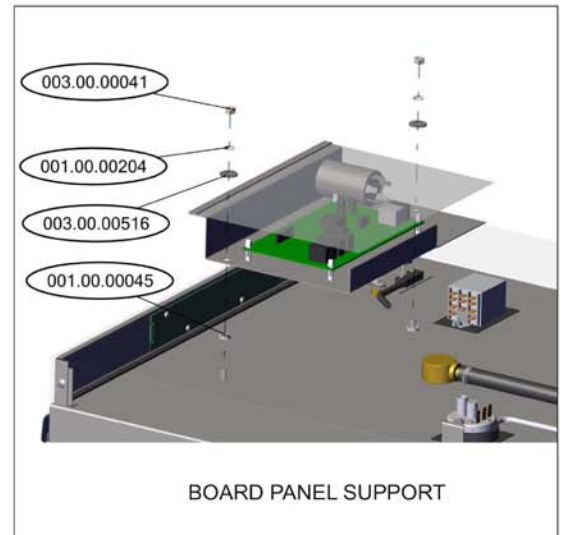
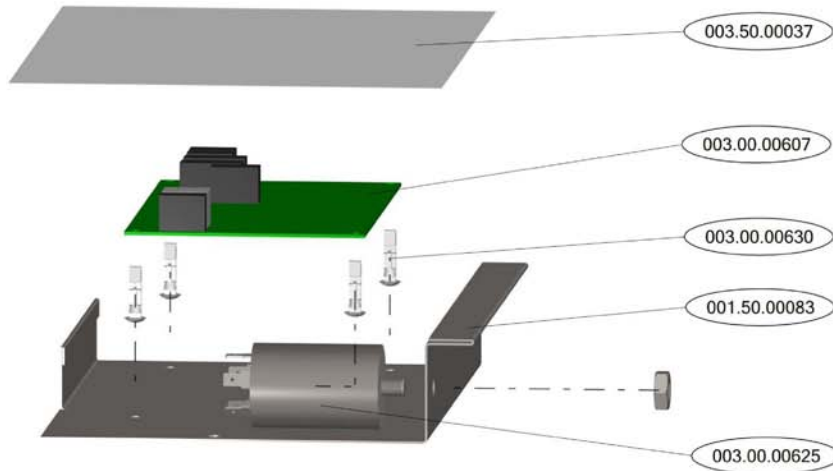
Parts Breakdown

Model CD-GR-0500 46798



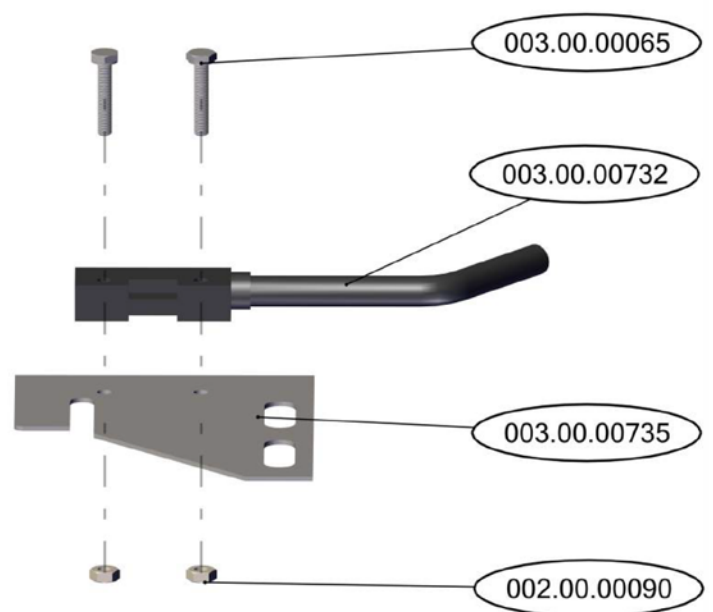
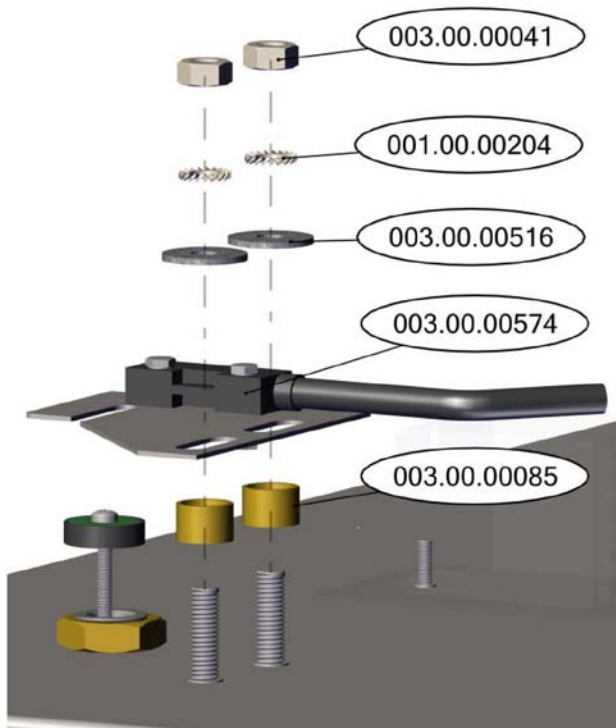
Parts Breakdown

Model CD-GR-0500 46798



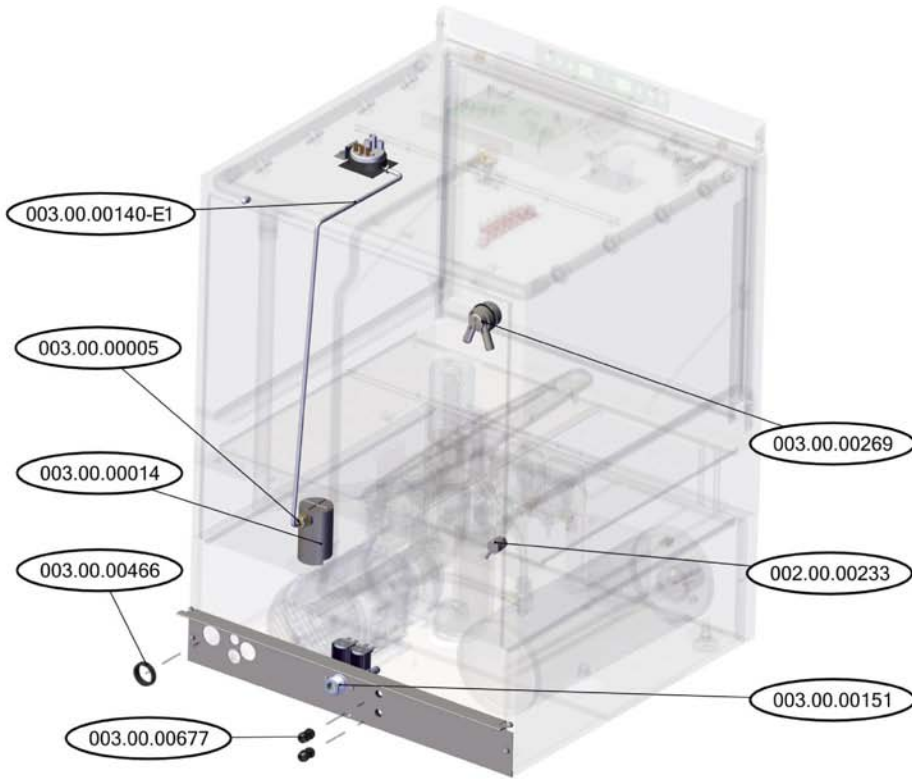
DOOR SWITCH ELECTRICAL PART - SUPPORT

DOOR SWITCH ELECTRICAL PART - ASSEMBLY



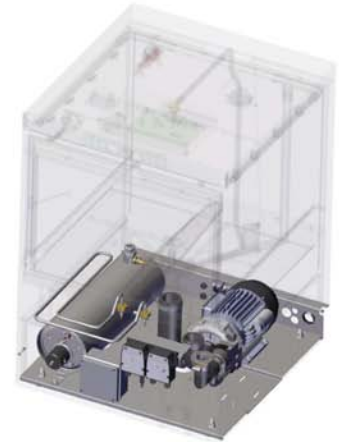
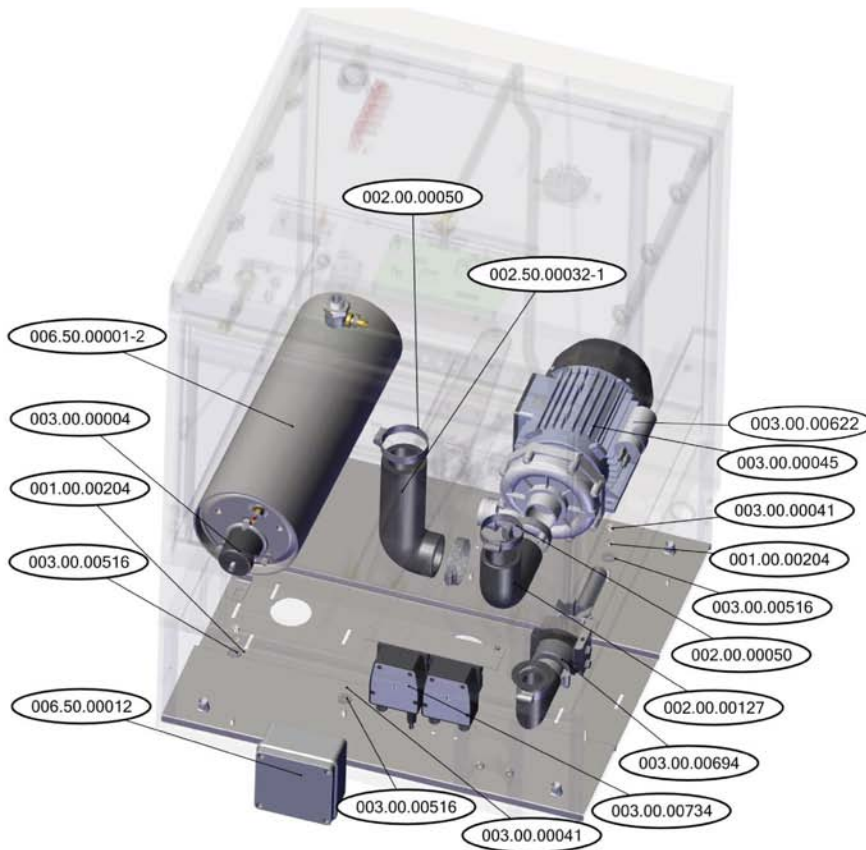
Parts Breakdown

Model CD-GR-0500 46798



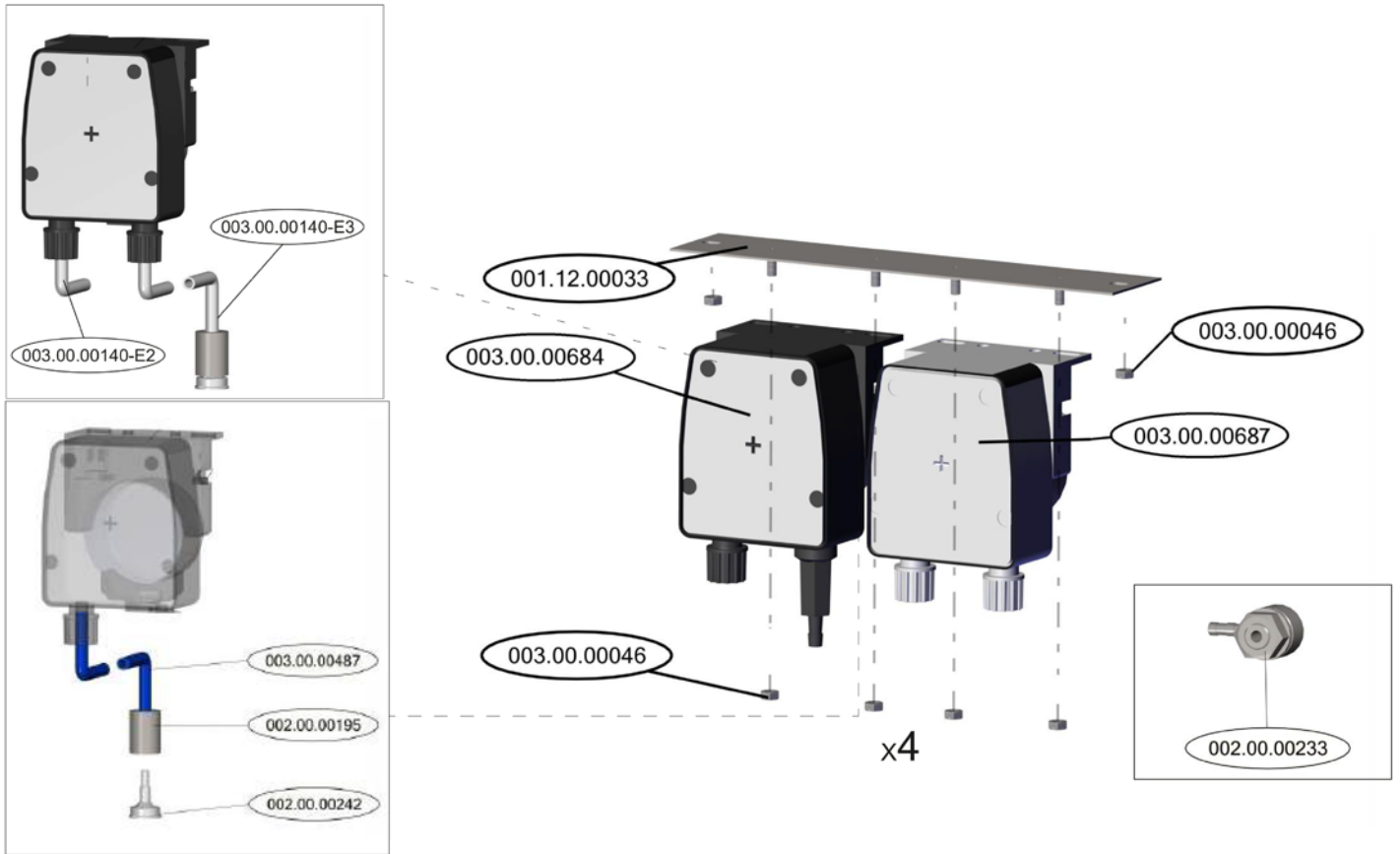
Parts Breakdown

Model CD-GR-0500 46798



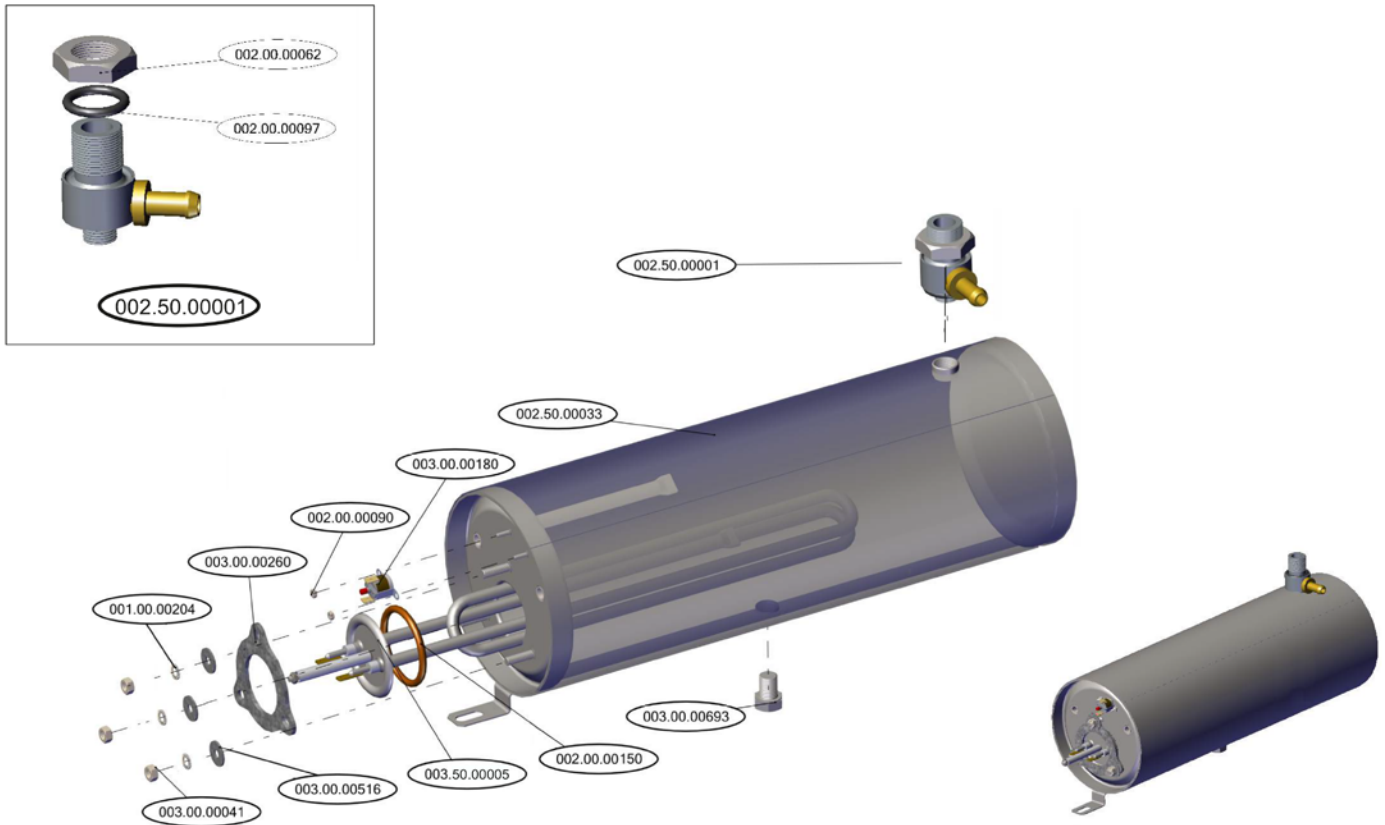
Parts Breakdown

Model CD-GR-0500 46798



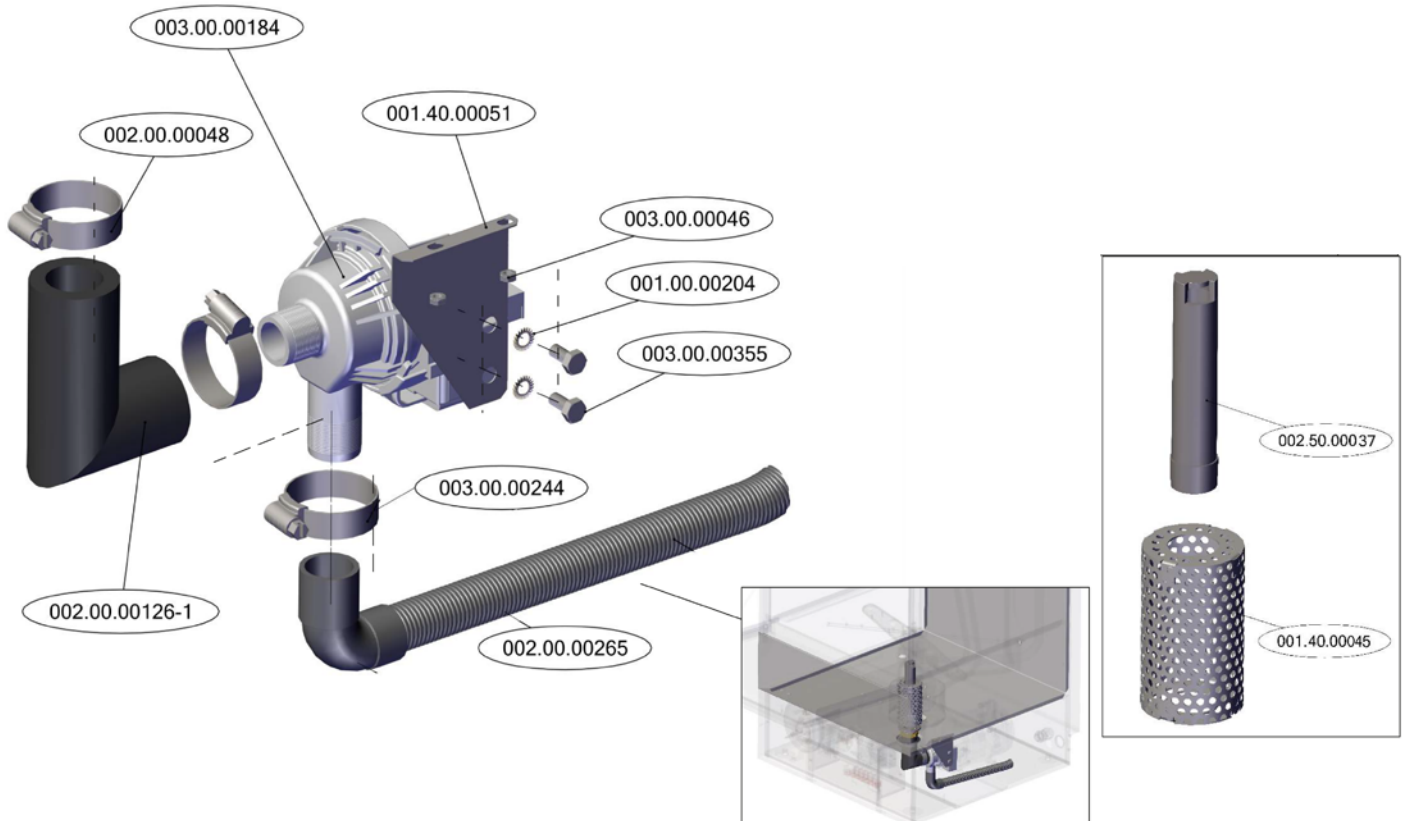
Parts Breakdown

Model CD-GR-0500 46798



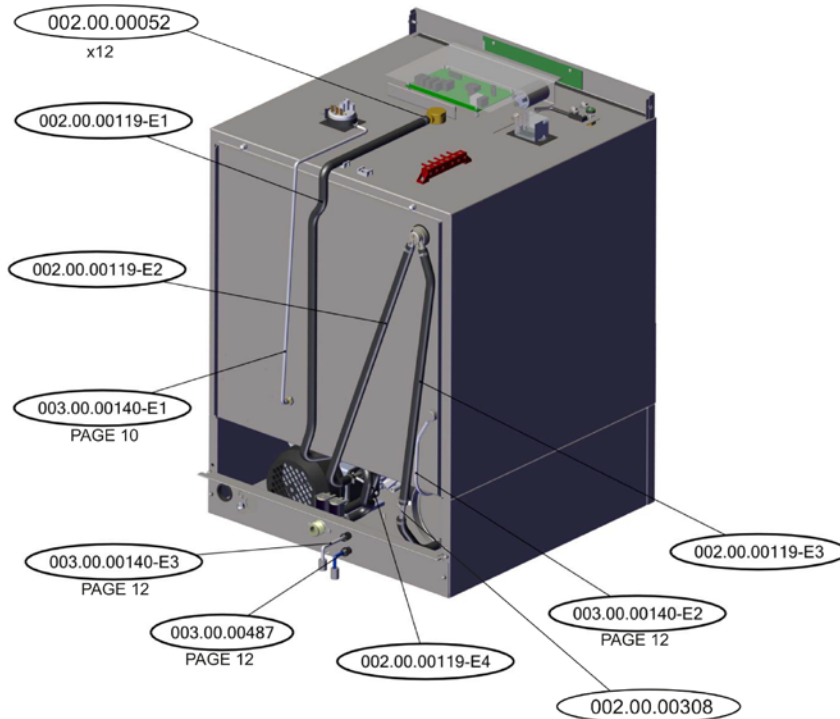
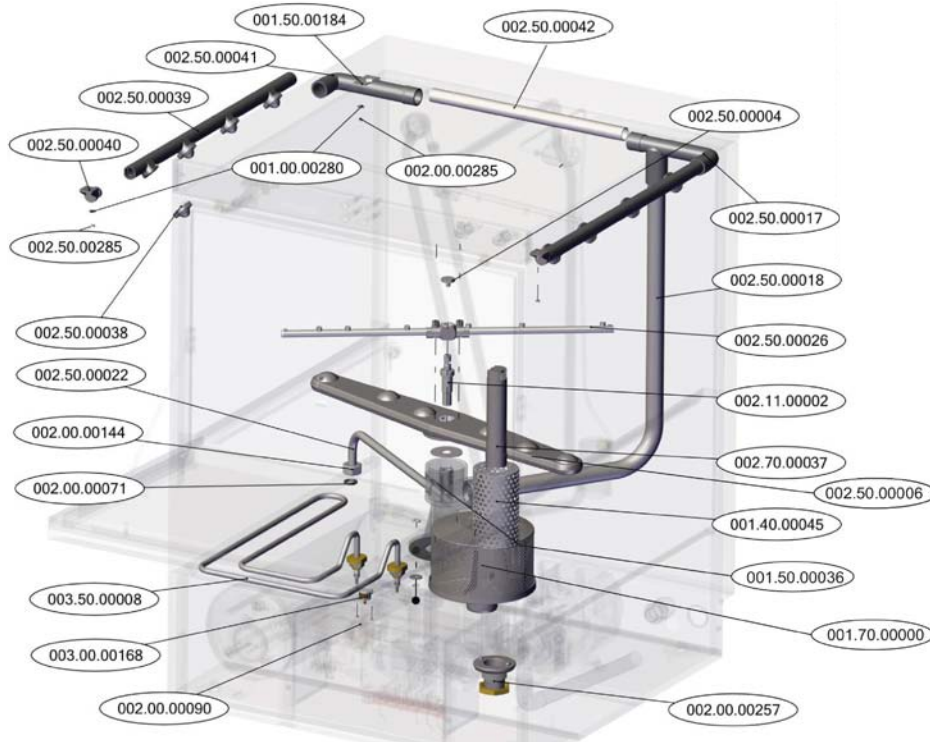
Parts Breakdown

Model CD-GR-0500 46798



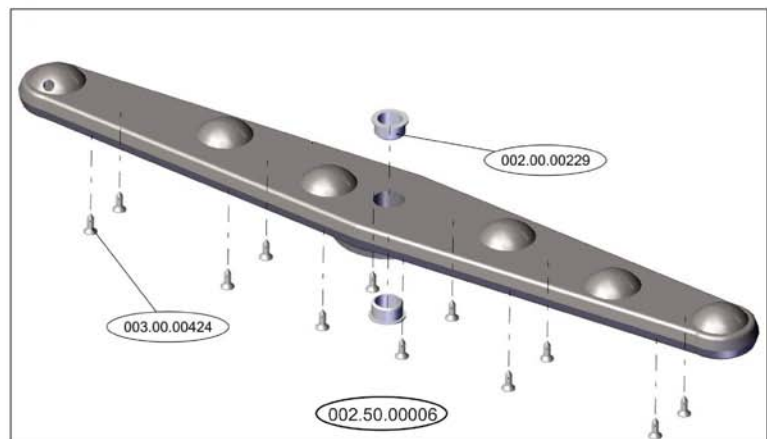
Parts Breakdown

Model CD-GR-0500 46798



Parts Breakdown

Model CD-GR-0500 46798



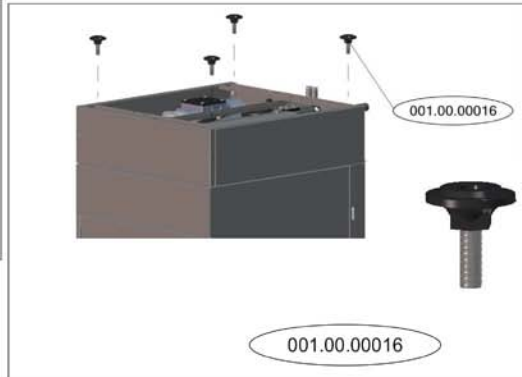
Parts Breakdown

Model CD-GR-0500 46798



Parts Breakdown

Model CD-GR-0500 46798



Parts Breakdown

Model CD-GR-0500 46798

Item No.	Description	Position	Item No.	Description	Position	Item No.	Description	Position
41141	Small Leveling Feet Black for 46798	001.00.00016	65677	Inox Knob for Surface Filter for 46798	001.50.00103	AD903	Hose Black (1/4) 6x12 L: 830mm Pressure Gauge - T Connector (Hose not Visible) for 46798	002.00.00132-E2
73794	Filter Retaining Nut for 46798	001.00.00017	AD891	Inox Base for Washing Arm for 46798	001.50.00184	61001	Bronze Nut M36 for 46798	002.00.00133
AD878	Teflon Washer D 12.5x8x2.5 for 46798	001.00.00045	AD892	Front Cover Inox for 46798	001.50.00192	73831	Lock Washer Inox 4 for 46798	002.00.00140
AD879	Door Support Axle DX (M6x300) for 46798	001.00.00048-1	AD893	Door Complete for 46798	001.50.00193	41139	Rinse Pipe Retaining Nut for 46798	002.00.00144
AD880	Door Support Axle SX (M6x300) for 46798	001.00.00048-2	AD894	Inside Part of the Door for 46798	001.50.00194	60978	O-Ring 45x6 for 46798	002.00.00150
41089	Door Snap Set for 46798	001.00.00051	AD895	External Part of the Door for 46798	001.50.00195	AD904	O-Ring 10x1.5 for 46798	002.00.00159
73825	Inox Screw 2.9x10 for 46798	001.00.00073	60997	Filter in the Tank for the Pump V-KN for 46798	001.70.00000	AD905	Lock Washer M4 for 46798	002.00.00162
73833	M10 Nut DIN 439 Inox for 46798	001.00.00093	60960	Fittings 1/4x10 for 46798	002.00.00001	73871	Teflon 12-6-2 for 46798	002.00.00169
73774	Domed Cap Nut M6 for 46798	001.00.00110	73780	Drain and Overflow Base Nut 1 1/2 for 46798	002.00.00037	61006	Balance F15x20 for 46798	002.00.00195
AD881	Door Support 8x23 for 46798	001.00.00114	73765	Clamp 25-40 for 46798	002.00.00048	AD906	Fittings 1/4x7 FEM for 46798	002.00.00198
73800	Galvanized Lock Washer 6.4x11x0.7 for 46798	001.00.00204	73766	Clamp 40-60 for 46798	002.00.00050	41100	Teflon 23 10 for 46798	002.00.00229
60951	Inox Screw M4x15 for 46798	001.00.00213	61019	Clamp 10-16 for 46798	002.00.00052	41101	Teflon 18x6 for 46798	002.00.00230
65674	Bolt Inox M6x15 for 46798	001.00.00215	73841	Nut 1/2 for 46798	002.00.00062	61018	Clamp 8-12 for 46798	002.00.00231
73848	Plastic Guide for Door Axle for 46798	001.00.00221	60962	Nut 3/8 for 46798	002.00.00065	73773	Detergent Tank Injector for 46798	002.00.00233
60953	Inox Screw M4x30 for 46798	001.00.00261	61004	O-Ring 4x11 for 46798	002.00.00071	61000	Rubber Gasket 35x55x1 for 46798	002.00.00238
60956	Inox Tapered Screw M5x16 for 46798	001.00.00262	60998	Plastic Base for Tank Filter V-K for 46798	002.00.00081	61007	Filter Plastic for Rinse Aid Valve for 46798	002.00.00242
60982	Bracket for Pressure Gauge - Thermometer (NSF Approved) for 46798	001.00.00264	73821	Inox Nut M3 for 46798	002.00.00090	60376	Elbow Draining Pipe OD22-ID19mm 1.5-Drain Hose for 46798	002.00.00265
45963	Door Spacer for 46798	001.00.00276	41140	O Ring 10.5x3 for 46798	002.00.00091	60992	Cap for Rinse Arms for 46798	002.00.00277
AD882	Washer 4x10 for 46798	001.00.00280	60999	O-Ring 52x2.5 for 46798	002.00.00093	60981	Pressure Gauge 2" 0/60 PSI 1/4 NPT (NSF Approved) for 46798	002.00.00286
AD883	Nut M4 Inox for 46798	001.00.00285	60952	Inox Nut M4 for 46798	002.00.00095	65670	PRV Valve for 46798	002.00.00307
AD884	Bracket for Peristaltic Pumps for 46798	001.12.00033	73749	O-Ring 20x4 for 46798	002.00.00097	65669	T-Connection Boiler 10 - 6 for 46798	002.00.00308
73782	Drain Pump Filter for 46798	001.40.00045	60995	O-Ring 14x3.5 for 46798	002.00.00100	73751	Axle Inox for Base Down for 46798	002.11.00002
AD885	Inox Base for Draining Pump for 46798	001.40.00051	61003	Rubber Gasket 103x58x3 for 46798	002.00.00105	41085	Sprayer for Rinsing Arm for 46798	002.11.00008
73879	Upper Cover Inox for 46798	001.50.00015	64817	Inlet Hose 1500mm 10x14.5 Hot Water Straight/Elbow with Gasket for 46798	002.00.00109	73880	Upper Rinsing Base Complete for 46798	002.35.00029
73753	Back Cover Inox for 46798	001.50.00043	AD896	Hose Black (3/8) 10x16.5 L: 1200mm Boiler - Upper Rinse Arm for 46798	002.00.00119-E1	73844	Outlet Base Boiler for 46798	002.50.00001
AD886	Panel Switch Inox EU40 for 46798	001.50.00044-A500	AD897	Hose Black (3/8) 10x16.5 L: 830mm Water Valve - No Return Valve for 46798	002.00.00119-E2	41099	Wash and Rinse Group Fixing Screw for 46798	002.50.00004
AD887	Inox Lower Back Cover for 46798	001.50.00072-1	AD898	Hose Black (3/8) 10x16.5 L: 750mm Boiler - No Return Valve for 46798	002.00.00119-E3	AD907	Pipe D10x220 for 46798	002.50.00005-1
AD888	Board Base Inox for 46798	001.50.00083	AD899	Hose Black (3/8) 10x16.5 L: 160mm Water Valve - T Connector for 46798	002.00.00119-E4	AD908	Pipe D10x220 for 46798	002.50.00005-2
65672	Filter Support Back for 46798	001.50.00096	AD900	Rubber Sheet 1mm for 46798	002.00.00123-1-2	41094	Washing Arm Lower for 46798	002.50.00006
65673	Filter Support Middle for 46798	001.50.00098	AD901	Wash Pump Hose (Input) for 46798	002.00.00126-1	60961	Inox Axle Rinse Base BL VE KN for 46798	002.50.00012
AD889	Filter Left Complete for 46798	001.50.00101	41106	Wash Pump Inlet Hose for 46798	002.00.00127	73796	Flow Control Disk for Base for 46798	002.50.00016
AD890	Filter Right Complete for 46798	001.50.00102	AD902	Hose Black (1/4) 6x12 L: 610mm Rinse Pump - T Connector (Hose not Visible) for 46798	002.00.00132-E1	41095	Upper Washing Arm Plastic Connector for 46798	002.50.00017



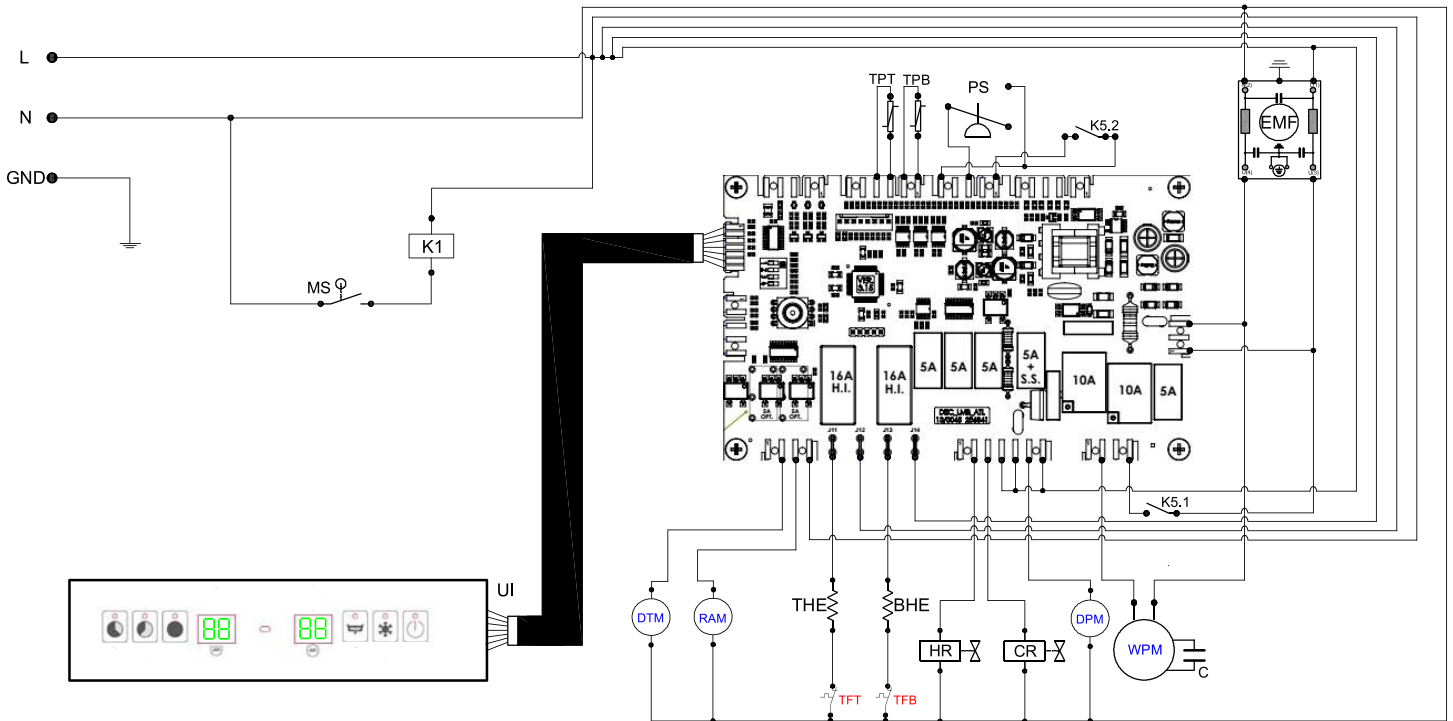
Parts Breakdown

Model CD-GR-0500 46798

Item No.	Description	Position	Item No.	Description	Position	Item No.	Description	Position
73887	Washing Upper System Inox Supply Pipe for 46798	002.50.00018	73816	Inox Hex Bolt M6x20 for 46798	003.00.00104	AD949	Door Switch Mechanical Part-Magnetic for 46798	003.00.00574
73857	Rinse Pipe Inox for 46798	002.50.00022	73814	Inox Hex Bolt M4x15 for 46798	003.00.00106	AK501	Thermocouple Sensor NTC 1.5M (not Visible) for 46798	003.00.00587
73750	Adaptor 40-25 for Wash Base for 46798	002.50.00024	AD922	Tubo Transparent 4x6 L: 760mm for 46798	003.00.00140-E1	AD935	Atlas Main Board Version for 46798	003.00.00607
73846	Plastic Base for Rinsing Arms for 46798	002.50.00025	AD923	Tubo Transparent 4x6 L: 1000mm for 46798	003.00.00140-E2	AD936	User Interface 7 SEGM Display Version for 46798	003.00.00609
41098	Rinse Arm Complete for 46798	002.50.00026	AD924	Tubo Transparent 4x6 L: 2100mm for 46798	003.00.00140-E3	AK502	Atlas-User Connection Cable L=500mm (not Visible) for 46798	003.00.00610
60975	Wash Pump Hose (Outlet) for 46798	002.50.00032-1	AD925	Double Water Input Valve for 46798	003.00.00151	AD937	Inox Screw M3x10 for 46798	003.00.00618
AD909	Boiler - Steel for 46798	002.50.00033-3	AD926	Terminal Block 4mm for 46798	003.00.00161	AD938	Capacitor 12.5IF Type UL for 46798	003.00.00622
61005	Washing Base Down V-K Complete for 46798	002.50.00036	AD927	Plast Basket 50x50 for 46798	003.00.00166	AD939	Electromagnetic Filter for 46798	003.00.00625
61002	Drain and Overflow Valve Plastic Part for 46798	002.50.00037	41087	Tank Thermofuse 90C for 46798	003.00.00168	AD940	Spacer Plastic PCB RC-14 for 46798	003.00.00630
AD910	Sprayer for Upper Wash Arm for 46798	002.50.00038	41088	Boiler Thermofuse 105C for 46798	003.00.00180	AD941	Box Plastic 100x100x70 for 46798	003.00.00631
AD911	Plastic Wash Arm Left-Right for 46798	002.50.00039	41113	Tank Draining Pump/Motor 230V-65W for 46798	003.00.00184	AD942	PCU Spacer 3.4x6x5 for 46798	003.00.00659
AD912	Plastic Cap for Wash Arm for 46798	002.50.00040	AD928	Terminal Block Support for 46798	003.00.00198-4	65668	Cable Gland PG-07 Black for 46798	003.00.00677
AD913	Connector Washing System 2 CON for 46798	002.50.00041	60959	Tapping Screw 3.5x9.5 for 46798	003.00.00200	65678	Inox Hex Bolt M6x6 for 46798	003.00.00683
AD914	Washing Upper Med Connection Part 310mm for 46798	002.50.00042	AD929	Clamp 20-32 for 46798	003.00.00244	AD943	Peristaltic Detergent Pump SEKO for 46798	003.00.00684
AD915	Drain and Overflow Valve Plastic Base Complete for 46798	002.50.00257	73758	Boiler Element Fitting Base for 46798	003.00.00260	AD944	Peristaltic Rinse-Aid Pump SEKO 0.7lt Fixed Flow for 46798	003.00.00687
AD916	T-Connector D10-D10 for 46798	002.51.00007	73839	Non Return Valve (DVGW) for 46798	003.00.00269	AD945	M12x16 Inox Hex (1.75) for 46798	003.00.00693
AD917	Rubber Insert Type U for 46798	003.00.00001-A500	60969	Galve. Bolt M4x10 for 46798	003.00.00278	AD946	Tank Draining Pump Kit for 46798	003.00.00694
73802	Heater Element Cover for 46798	003.00.00004	AD930	Washer Inox 6x18 Back for 46798	003.00.00291	AD947	Magnetic Unit D17-4 for 46798	003.00.00731
AD918	Tire Up 98x2.5 for 46798	003.00.00005	73838	Micro Relay 8 Pins Faston for 46798	003.00.00306	AD948	Magnetic Sensor (UL Type) for 46798	003.00.00732
41091	Pressostat Chamber for 46798	003.00.00014	73869	Tapping Screw 4.8x13 for 46798	003.00.00346	AD949	Door Switch Mechanical Part-Magnetic for 46798	003.00.00733
61031	Power Supply Board 6CON for 46798	003.00.00030	AD931	Lock Washer D6 for 46798	003.00.00352	AD950	Detergent-Rinse Aid Pump Kit for 46798	003.00.00734
41090	Pressostat Switch for 46798	003.00.00033-1	AD932	Hex Bolt M6x12 Galvanised for 46798	003.00.00355	41103	Boiler Heating Element 3 Kw for 46798	003.50.00005
73843	Nut M6 Galvanised for 46798	003.00.00041	AD933	Plastic Basket 500x000 for Glasses for 46798	003.00.00390	41102	Tank Heating Element 2.8 Kw for 46798	003.50.00008
73851	Pump 0.75HP 208-240V 60Hz 2P UL for 46798	003.00.00045	73826	Inox Screw 4.2x13 for 46798	003.00.00424	AD951	Film LCD for 46798	003.50.00026-xxxx
73834	M4 Nut Galvanized for 46798	003.00.00046	AD934	Plastic Cutlery Quadrato for 46798	003.00.00439	AD952	Display Panel Complete for 46798	003.50.00027
60957	Galv. Nut M3 for 46798	003.00.00065	60973	Pipe Rubber Protector for 46798	003.00.00466	AD953	Cover for Panel for 46798	003.50.00037
60994	Nut for Door Switch for 46798	003.00.00071	60311	Rinse Aid Inlet Tube 4x6mm (Blue) for 46798	003.00.00487	AD954	Main Wiring Set NED - (UL Wiring) not Visible for 46798	003.50.00043
73842	Nut 14 (Galv.) for 46798	003.00.00074	60993	Rubber Gasket 16x30x3 for 46798	003.00.00489	AD955	Board Panel Complete (UL/ETL) for 46798	003.50.00044
AD921	Steel Electrical Door Switch Plate for 46798	003.00.00077	73762	Cable Plastic Clamp for 46798	003.00.00494	AK503	Boiler Comp. with Heater Element 50-230V - NSF for 46798	006.50.00001-2
73862	Spacer for Door Switch for 46798	003.00.00085	73884	Washer Steel 6x18 for 46798	003.00.00516	AD957	Electrical Box for Power Supply for 46798	006.50.00012

Electrical Schematics

Model CD-GR-0500 46798



- | | | | |
|------------------------------|----------------------------|-------------------------------|--------------------------|
| EMF : Electromagnetic filter | DTM : Detergent Pump Motor | MS : Magnetic switch | DPM : Drain Pump Motor |
| UI : Users interface | RAM : Rinse Aid Pump Motor | BHE : Booster Heating element | WPM : Washing Pump Motor |
| PS : Pressostat | TFB : ThermoFuse Booster | THE : Tank Heating Element | C : Capacitor |
| TPB : Thermo Probe Booster | TFT : ThermoFuse Tank | HRV : Hot Rinse Valve | |
| TPT : Thermo Probe Tank | K1 : Microrelay | CRV : Cold Rinse Valve | |

INSTALLATION REQUIREMENTS AND CHECKLIST

**The Dishwasher must be installed by a certified plumber.
Failing to follow the instructions below will void the warranty.**



This checklist *must* be returned with warranty card.

Installer
Signature Below:

- 1. Check water hardness. If water hardness exceeds 7 grains per gallon, a water softener must be installed.
- 2. Ensure the correct placement and leveling of the machine as per the manual (page 10).
- 3. The water supply hose / pipe should be flushed before the final connection (page 12).
- 4. The dishwasher must be connected to a hot water source with a minimum temperature of 40° Celcius / 104° Fahrenheit.
- 5. Adjust water pressure using the PRV to 20 PSI, while filling the machine with water.
- 6. Rinse and detergent containers can be adjusted at the bottom of the machine by rotating the adjustment screws on the pumps. Adjust rinse/detergent flow to manufacturers recommendations. 2.6 ml per rotation for DETERGENT – 1.2 ml per rotation for RINSE. ****Rinse/Detergent containers must be equal or lower in height than the pumps****
- 7. Do not add an extension to the drain hose, drain connections must be made in the same flow with the drain pipe. Do not install drain hose to exceed 26 inches / 65 cm above the ground (page 13).
- 8. If the tank temperature gauge is not inside the green zone, the installer must adjust to 80° Celsius / 176° Fahrenheit.
- 9. If the booster gauge is not inside the green zone, the installer must adjust to 80° Celsius / 176° Fahrenheit.
- 10. If no water filtration/softener system is used, descale every 4 weeks.

Please read through owner's manual completely for all instructions.

Company Name: _____
Company Phone Number: _____
Installed By: _____
Date Installed: _____
Signature of Installer: _____



Warranty Registration

Thank you for purchasing an Omcan product. To register your warranty for this product, complete the information below, tear off the card at the perforation and then send to the address specified below. You can also register online by visiting:

Merci d'avoir acheté un produit Omcan. Pour enregistrer votre garantie pour ce produit, complétez les informations ci-dessous, détachez la carte au niveau de la perforation, puis l'envoyer à l'adresse spécifiée ci-dessous. Vous pouvez également vous inscrire en ligne en visitant:

Gracias por comprar un producto Omcan usted. Para registrar su garantía para este producto, complete la información a continuación, cortar la tarjeta en la perforación y luego enviarlo a la dirección indicada a continuación. También puede registrarse en línea en:

<https://omcan.com/warranty-registration/>

For mailing in Canada

Pour postale au Canada

Por correo en Canadá

OMCAN

PRODUCT WARRANTY REGISTRATION

3115 Pepper Mill Court,

Mississauga, Ontario

Canada, L5L 4X5

For mailing in the US

Pour diffusion aux États-Unis

Por correo en los EE.UU.

OMCAN

PRODUCT WARRANTY REGISTRATION

4450 Witmer Industrial Estates, Unit 4,

Niagara Falls, New York

USA, 14305

or email to: service@omcan.com



Purchaser's Information

Name: _____

Address: _____

City: _____ Province or State: _____ Postal or Zip: _____

Country: _____

Dealer from which Purchased: _____

Dealer City: _____ Dealer Province or State: _____

Invoice: _____

Model Name: _____ Model Number: _____

Machine Description: _____

Date of Purchase (MM/DD/YYYY): _____

Would you like to extend the warranty? Yes No

Company Name: _____

Telephone: _____

Email Address: _____

Type of Company:

Restaurant Bakery Deli

Butcher Supermarket Caterer

Institution (*specify*): _____

Other (*specify*): _____

Serial Number: _____

Date of Installation (MM/DD/YYYY): _____

Thank you for choosing Omcan | Merci d'avoir choisi Omcan | Gracias por elegir Omcan



Since 1951 Omcan has grown to become a leading distributor of equipment and supplies to the North American food service industry. Our success over these many years can be attributed to our commitment to strengthen and develop new and existing relationships with our valued customers and manufacturers. Today with partners in North America, Europe, Asia and South America, we continually work to improve and grow the company. We strive to offer customers exceptional value through our qualified local sales and service representatives who provide convenient access to over 6,500 globally sourced products.

Depuis 1951 Omcan a grandi pour devenir un des “leaders” de la distribution des équipements et matériel pour l’industrie des services alimentaires en Amérique du Nord. Notre succès au cours de ces nombreuses années peut être attribué à notre engagement à renforcer et à développer de nouvelles et existantes relations avec nos clients et les fabricants de valeur. Aujourd’hui avec des partenaires en Amérique du Nord, Europe, Asie et Amérique du Sud, nous travaillons continuellement à améliorer et développer l’entreprise. Nous nous efforçons d’offrir à nos clients une valeur exceptionnelle grâce à nos ventes locales qualifiées et des représentants de service qui offrent un accès facile à plus de 6500 produits provenant du monde entier.

Desde 1951 Omcan ha crecido hasta convertirse en un líder en la distribución de equipos y suministros de alimentos en América del Norte industria de servicios. Nuestro éxito en estos años se puede atribuir a nuestro compromiso de fortalecer y desarrollar nuevas relaciones existentes con nuestros valiosos clientes y fabricantes. Hoy con socios de América del Norte, Europa, Asia y América del Sur, que trabajan continuamente para mejorar y crecer la empresa. Nos esforzamos por ofrecer a nuestros clientes valor excepcional a través de nuestro local de ventas y representantes de los servicios que proporcionan un fácil acceso a más de 6,500 productos con origen a nivel mundial.

